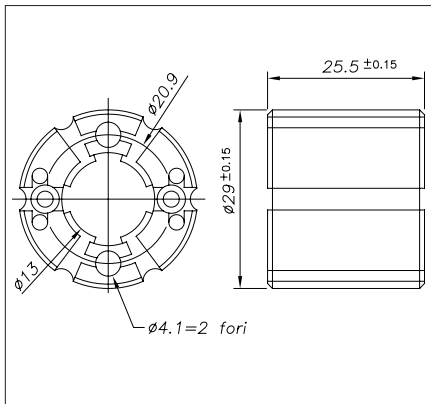


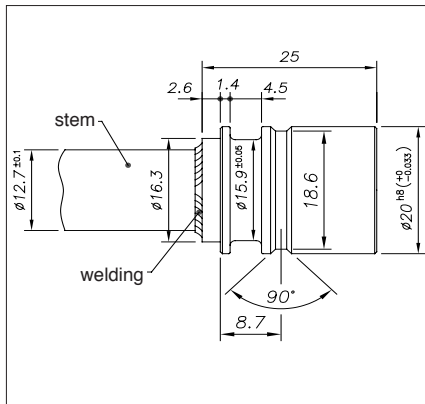
MECHANICAL / ELECTRICAL DATA

MODEL		50	100	150	200	250	300	350	400	450	500	550	600	750	800	850	900	950	1000
Useful electrical stroke (C.E.U.) + 1/-0	mm	Model																	
Theoretical electrical stroke (C.E.T.) ± 1	mm	C.E.U. + 1																	
Independent linearity (within C.E.U.)	± %	0.35																	
Dissipation at 40°C (0W at 120°C)	W	1	2	3															
Max applicable voltage	V	40	60																
Resistance (C.E.T.)	kΩ	5					10					20							
Mechanical stroke (C.M.)	mm	C.E.U. + 5																	
Case Length "A" ±1	mm	C.E.U. + 94.7																	

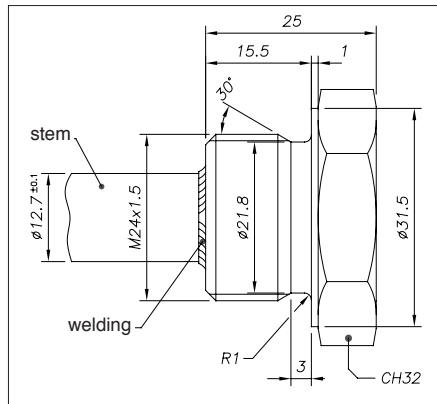
PCUR010 CURSOR



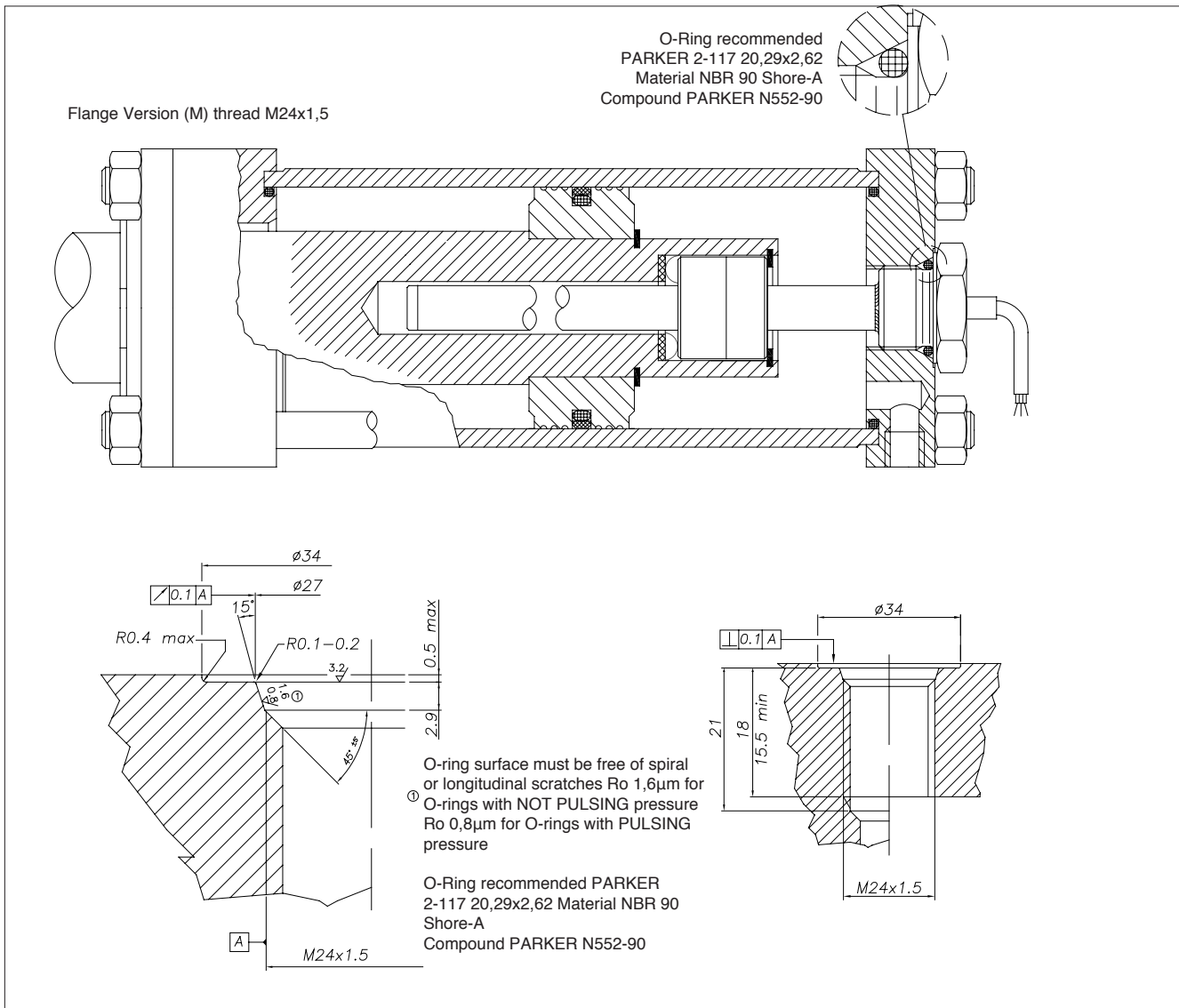
STANDARD FLANGE (X)



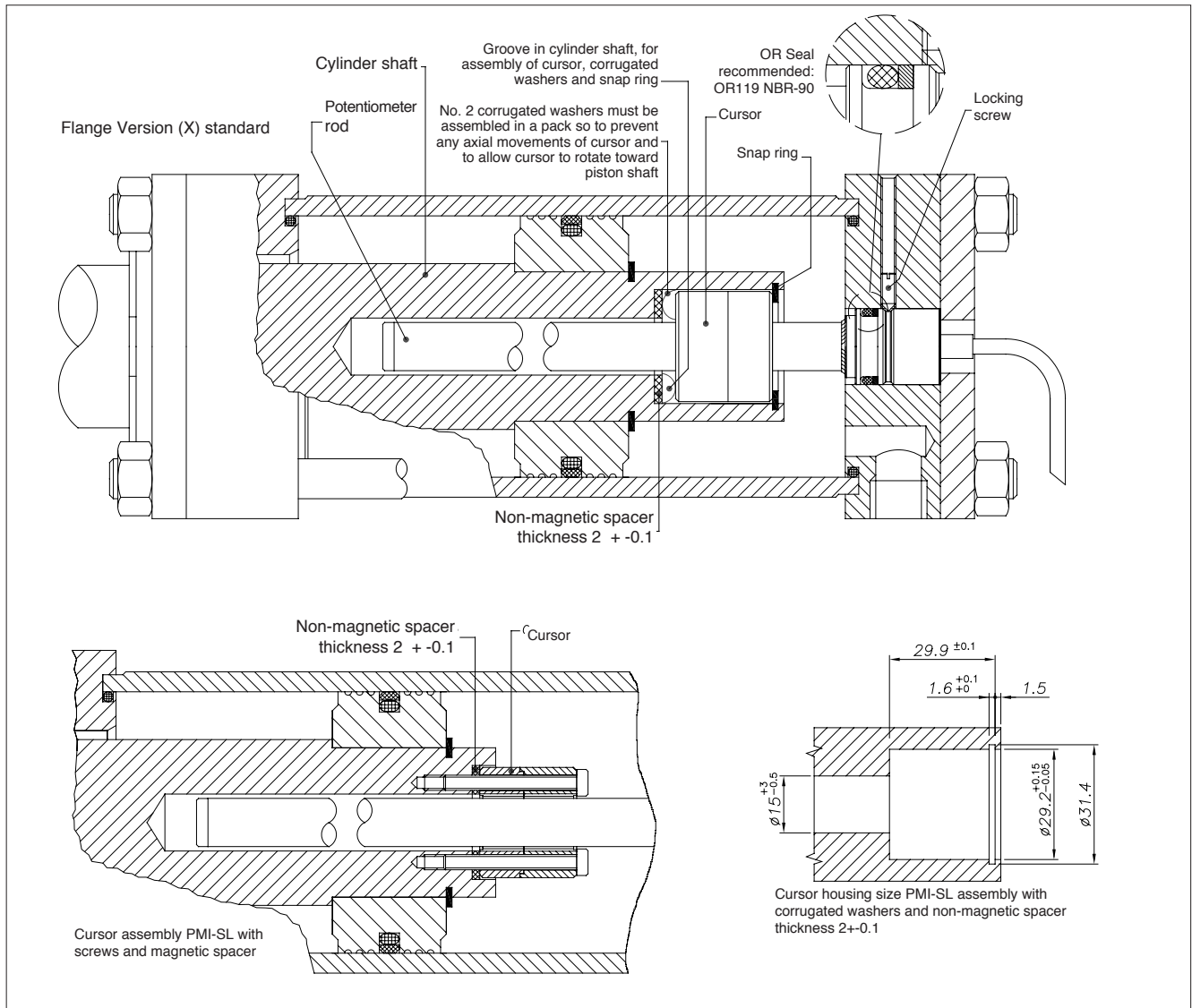
THREADED FLANGE (M)



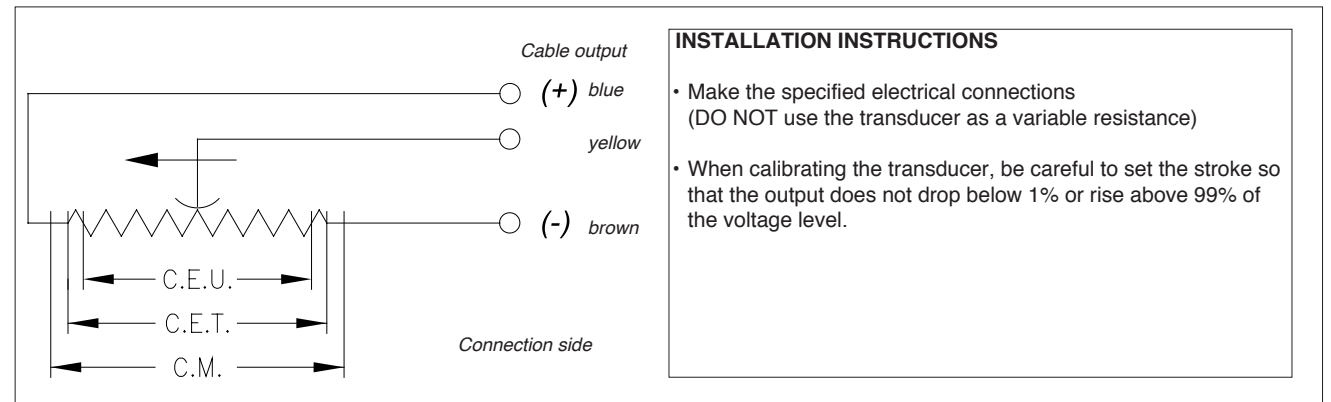
INSTALLATION INSIDE THE CYLINDER



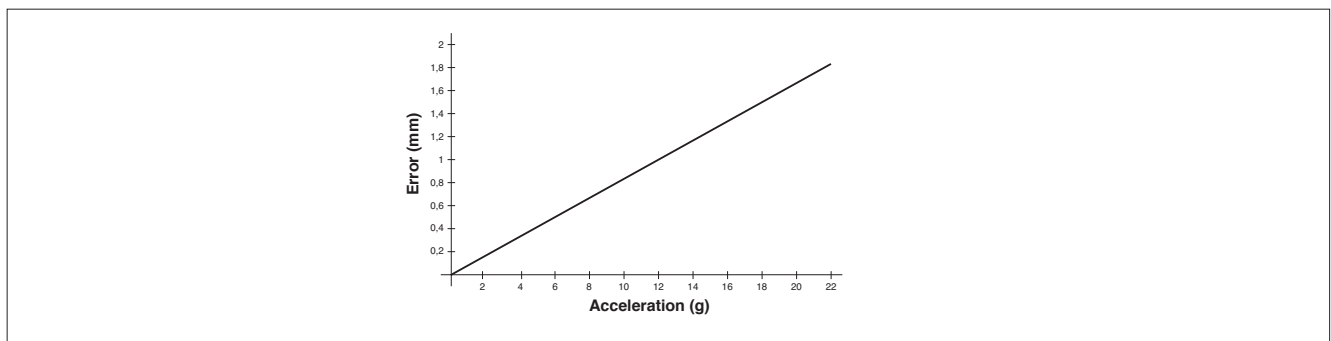
INSTALLATION INSIDE THE CYLINDER



ELECTRICAL CONNECTIONS



TRACKING ERROR



ORDER CODE

Displacement transducers

P M I S L

3-pole PUR cable output
3x0.25, 1 mt

F

Model

Standard flange

X

Threaded flange M24x1.5

M

0 0 0 0 X 0 0 0 X X X X X X

No certificate attached

0

Linearity curve to be attached

L

Version F cable length

1 mt cable (standard)	00
2 mt cable	02
3 mt cable	03
4 mt cable	04
5 mt cable	05
10 mt cable	10
15 mt cable	15

Ex.: **PMI-SL-F-0400-X 0000X000XX00XXX**

PMI SL displacement transducer, cable output, useful electrical stroke (C.E.U.) 400mm, standard flange, no certificate attached, cable length 1 mt.

ACCESSORIES (standard)

Standard magnetic cursor

PCUR010