

Main characteristics

- Optimised mechanical structure
- Strokes from 50 to 2500 mm
- Fast installation by mean of steel brackets
- Sliding or floating magnetic cursor
- Synchronous Serial Interface direct to controllers
- Output data resolution available from 20 to 40 μm
- Data format: binary or Gray code; incremental/ decremental
- Power supply 10...32 Vdc
- Resistance to vibration (DIN IEC68T2/6 12g)
- IP67 protection
- Work temperature: -30...+90°C
- Electromagnetic compatibility EMC 2014/30/EU
- Compliant to the directive RoHS 2011/65/EU

Contactless linear position transducer with HYPERWAVE magnetostrictive technology, with RS422-SSI digital output interface.

The absence of electrical contact on the cursor eliminates all wear and guarantees almost unlimited life.

High performance in terms of environmental IP protection and EMC immunity.

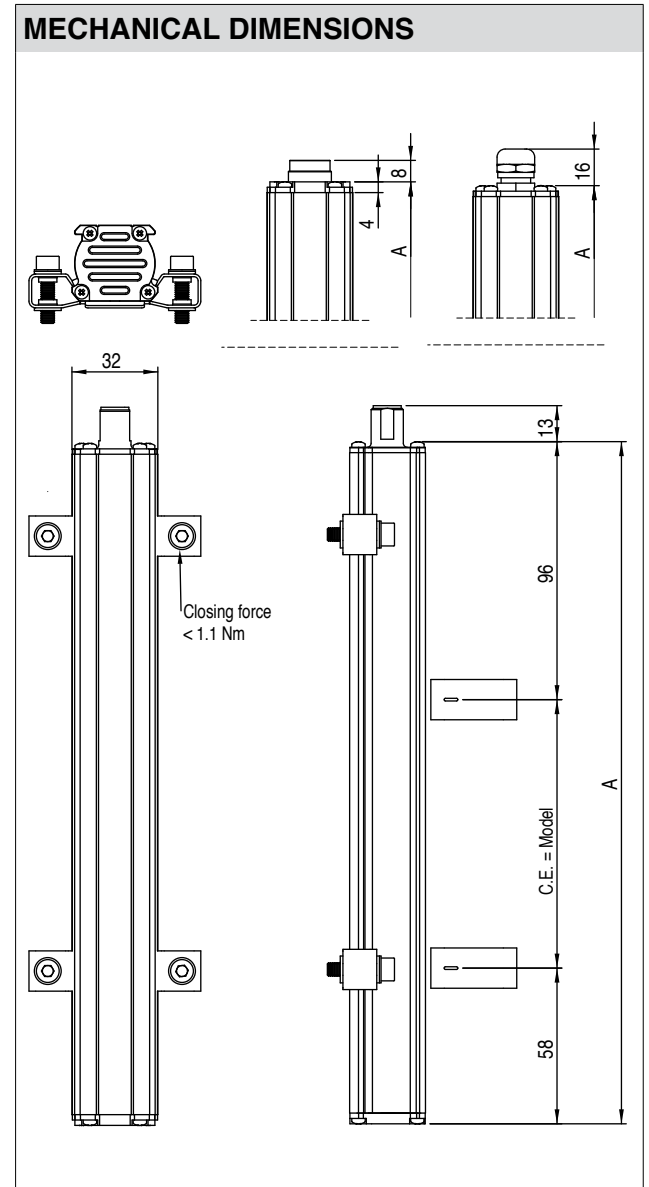
High accuracy of the measurement with reference to the non linearity, repeatability and hysteresis. High resistance to vibrations, mechanical shocks for use in a harsh industrial environment.

TECHNICAL DATA	
Model	from 50 to 2500 mm
Measurement taken	displacement
Position read sampling time (typical)	1 ms
Shock test DIN IEC68T2-27	100g - 11ms - single shock
Vibrazioni DIN IEC68T2-6	12g / 10...2000Hz
Velocità di spostamento	≤ 10 m/s
Max. acceleration	≤ 100 m/s ² displacement
Output data resolution available	20, 40 μm
Cursor (see note)	Sliding cursor Floating separate cursor
Working temperature	-30...+90°C
Storage temperature	-40...+100°C
Coefficient of temperature	20 ppm FS / °C
Protection	IP67

Note 1) For stroke > 2500mt use sliding or floating cursors with max. distance of 4mm

ELECTRICAL DATA	
Output signal	Synchronous Serial (SSI); Binary/Gray; Incremental/Decremental
Data length	24 - 25 bit
Nominal power supply	10...32 Vdc
Max. power ripple	1Vpp
Max. input	50mA
Output load	RS422/485 standard
Electrical isolation	500V (*) (D.C. supply/earth)
Protection against polarity inversion	Yes
Protection against overvoltage	Yes
Self-resetting internal fuse	Yes

(*) it includes a 50V 2J voltage suppressor



ORDER CODE

Position transducer

W P P S

0 0 0 0 X X X X X 0 X X

SSI digital output S

Connector

DIN45322 6-pin connector output B

Available on request

DIN45326 8-pin connector output C

DIN45329 7-pin connector output D

M12 8-pin connector output H

Cable output PVC 6-pin (1 meter) F

Cable output PUR high flexibility 7-pin 7x0,14 R

Model

Output

Binary data code output B

Gray data code output G

Data length

Data length 24 bit 3

Data length 25 bit 4

Data length 21+1 bit (FM357) 5

Data resolution

0.020 mm 3

0.040 mm 4

Outputs

Outputs B, C, H 00

F outputs cables length

1 meter (standard) 00

2 meters 02

3 meters 03

4 meters 04

5 meters 05

10 meters 10

15 meters 15

Scale orientation

Ascending (standard) 1

Descending 2

Ascending (over sampling refresh output 4 KHz) 4

Mechanical and/or electrical characteristics differing from those in the standard version may be arranged on request

Ex.: WPP-S-B-0400-B-3 0000-X-X-3-1-X-00-X-0-XX

Transducer model WPP, SSI output, connector B, model 400, binary data code output, data length 24 bit, system resolution 0.020mm, scale orientation ascending.

CURSORS ON REQUEST

PCUR202/PCUR230



Floating Cursor

PCUR210



Sliding cursor, axial joint low

PCUR211

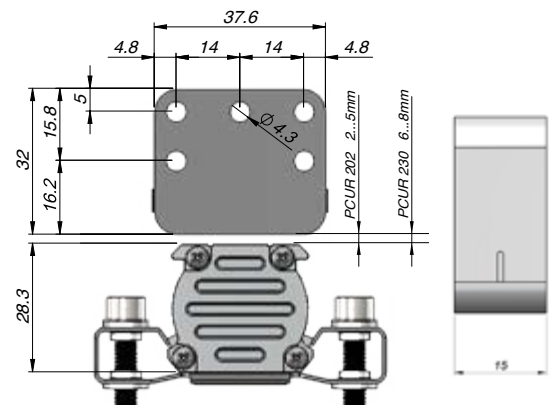
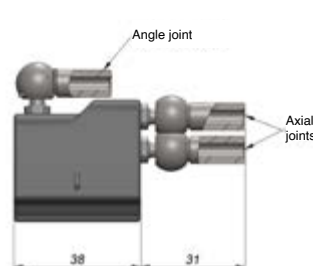
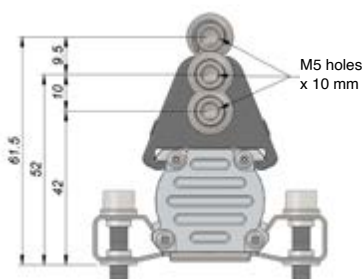


Sliding cursor, axial joint high

PCUR212



Sliding cursor, axial joint angle

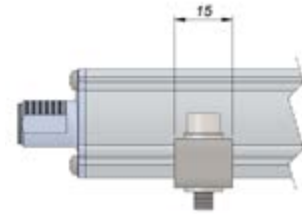


BRACKETS ON REQUEST

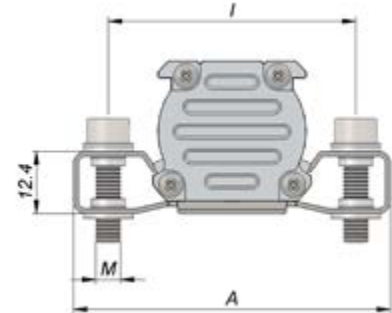


P K I T □ □ □

Brackets (2 brackets for every kit)	
Steel brackets, interaxis 42.5mm	090
Steel brackets, interaxis 50mm	091



Brackets code	Interaxis (i)	Screw (V)	Dimension (A)
PKIT090	42.5	M4	56
PKIT091	50	M5	63.5



OPTIONAL CONNECTORS

For output H, M12 connector thread

Codes: **CON035** for 8-pin output (WPP-S-H)
CON042 for 8-pin output (WPP-S-H)

For outputs B-C-D, M16 connector thread

Codes: **CON021** for 6-pin output (WPP-S-B)
CON022 for 6-pin output (WPP-S-B)
CON023 for 6-pin output (WPP-S-B)
CON026 for 7/8-pin output (WPP-S-C/D)
CON027 for 7/8-pin output (WPP-S-C/D)
CON028 for 7/8-pin output (WPP-S-C/D)

Connector extraction length 10 mm

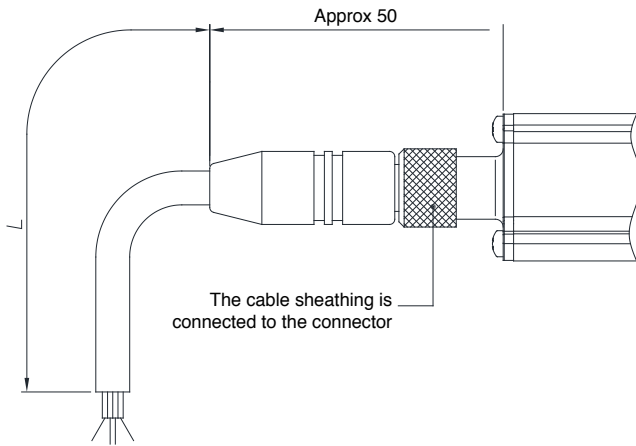
<p>Cable camp for $\phi 6.5$ cable</p> <p>CON035 IP67 - IEC 48B</p>	<p>35</p> <p>$\phi 20$</p> <p>Cable camp for $\phi 6 - \phi 8$ cable</p> <p>CON042 IP67</p>	<p>Cable camp for $\phi 5$ cable</p> <p>70</p> <p>$\phi 17$</p> <p>CON021 CON026 IP40 - EMC</p>	<p>Cable camp for $\phi 6 - \phi 8$ cable</p> <p>62</p> <p>$\phi 18$</p> <p>CON022 CON027 IP67 - EMC</p>	<p>37</p> <p>$\phi 18$ $\phi 20$</p> <p>Cable camp for $\phi 5 - \phi 8$ cable</p> <p>CON023 CON028 IP67 - EMC</p>
---	--	---	--	---

Note: 1. The IP rating specified in this document normally applies with the suitable female connector plugged-in and properly wired..

OPTIONAL CABLES OUTPUT H

8-pin cable code		WPP-S-H	
Length "L"		CODE	
		Straight cable	90° cable
2	mt	CAV002	CAV005
5	mt	CAV003	CAV006
10	mt	CAV004	CAV007
15	mt	CAV009	CAV008

PREWIRED CABLE WITH STRAIGHT CONNECTOR



PREWIRED CABLE WITH 90° CONNECTOR

