



Figure 1: Elstein IRS/330 rod radiator

Elstein IRS/330 rod radiators are ceramic infrared radiators with operating temperatures up to 750 °C and surface ratings up to 36 kW/m<sup>2</sup>. They have one mounting socket on each side, with which they can be fixed to a mounting sheet with fixing springs.

The IRS/330 rod radiators replace the ISS radiators. They have larger mounting sockets and the heating rod has a bigger diameter. Both lead to an improved mechanical strength and high service life.

IRS/330 can be used in already existing ISS-systems or reflectors. Only the holes need to be enlarged so that the bigger sockets of IRS/330 can be inserted.

Next to linear heating tasks IRS/330 rod radiators are used as room, comfort or patio heater as well as heating element on terrasses.

Elstein IRS/330 rod radiators are available with a power of 250 W and 400 W.

## IRS/330

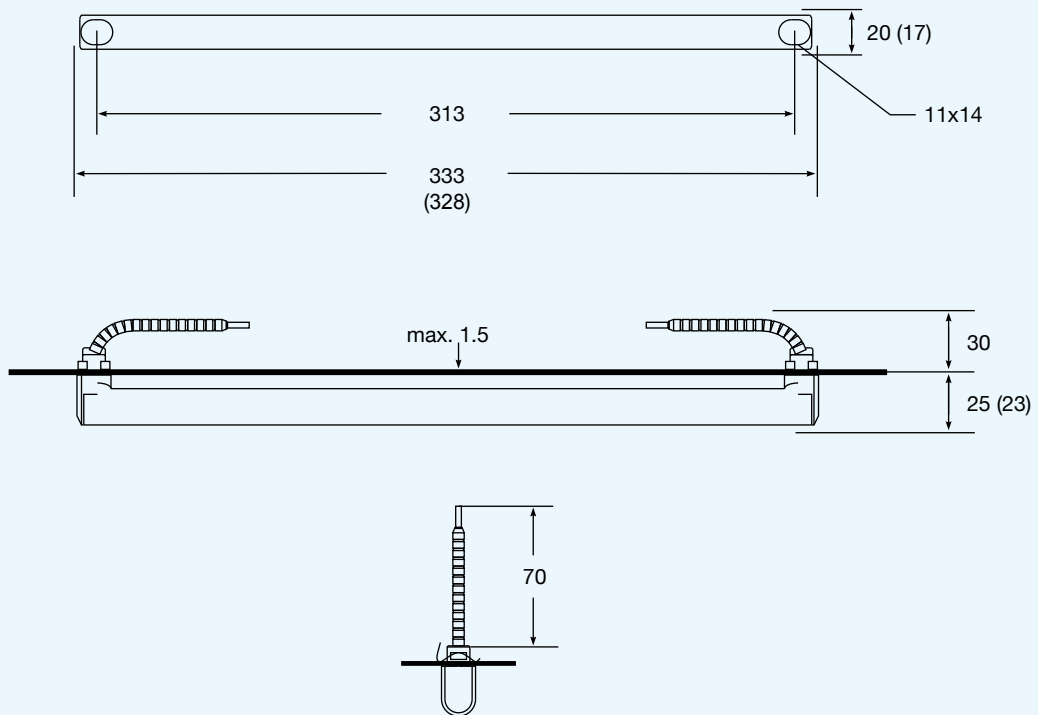
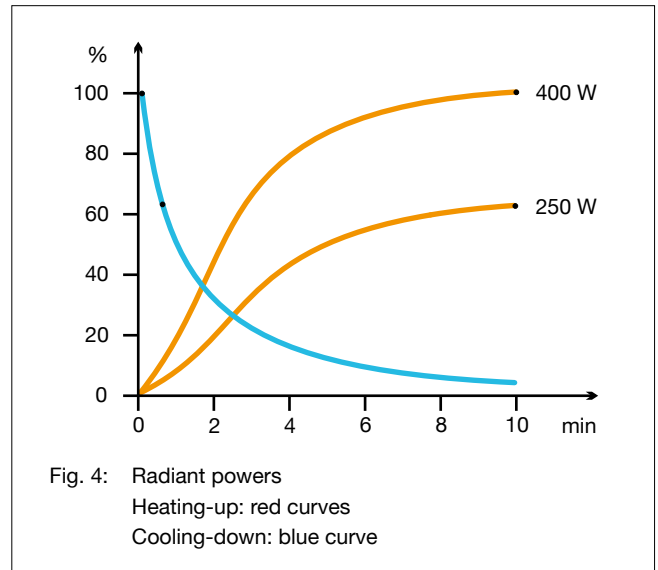
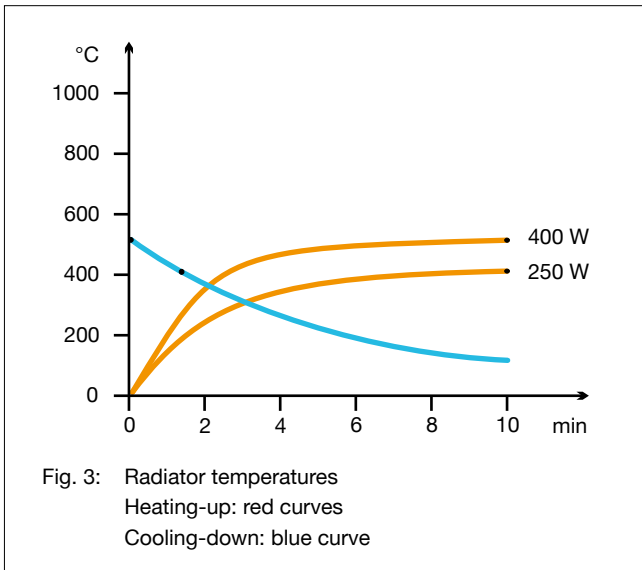


Figure 2: Mounting dimensions and radiator dimensions ( ) in mm



Type, weight, wattage	IRS/330	130 g	250	400	W
Surface rating			22.8	36.4	kW/m <sup>2</sup>
Typical operating temperature			400	530	°C
Maximum permissible temperature			750	750	°C
Wavelength range			2 - 10		μm

<b>Standard design</b> Operating voltage 230 V White glaze Leads 70 mm Two mounting sockets Two fixing springs	<b>Thermocouple radiators</b> Designation T-IRS/330 Integrated thermocouple Type K (NiCr-Ni) TC leads 100 mm	<b>Variants</b> Special wattages Special voltages Extended leads Leads with ring terminals
---	--	--

The power can be controlled using thermocouple radiators together with TRD 1 temperature controllers, TSE thyristor switching units and other accessories.

The national safety regulations must be complied with for the respective application, for example, the IEC or EN standard 60519-1, Safety in electrical heating installations.

Our instructions for mounting, operation and safety must be observed.