



FJM-L

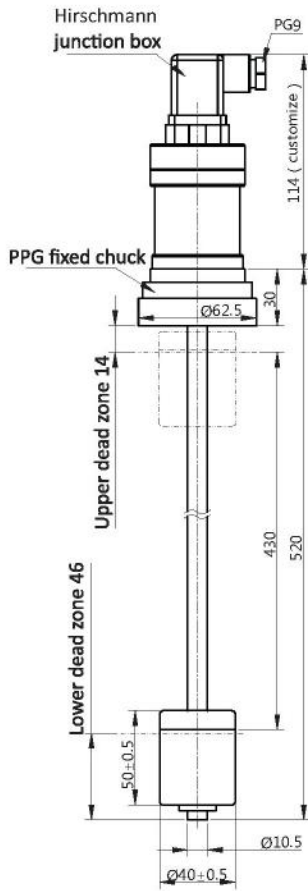
Magnetostrictive level transmitter

Magnetostrictive level transmitter has the advantage of high accuracy, strong adaptability, easy installation. It is widely used to measure and control the liquid level of various liquid tanks, such as petroleum, chemical raw material storage, industrial process, biochemistry, medicine, food and beverage etc.

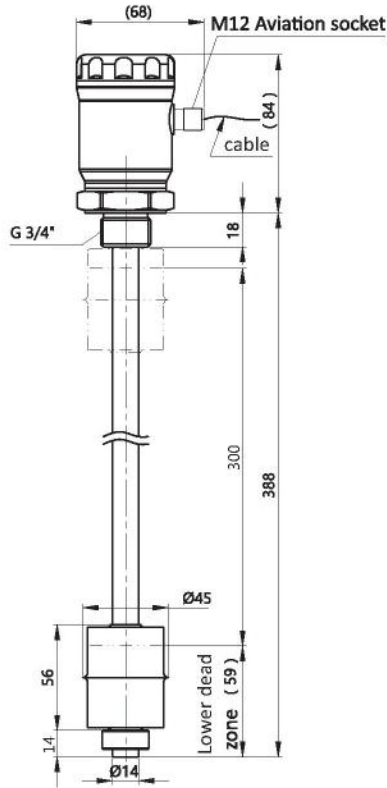
Product series



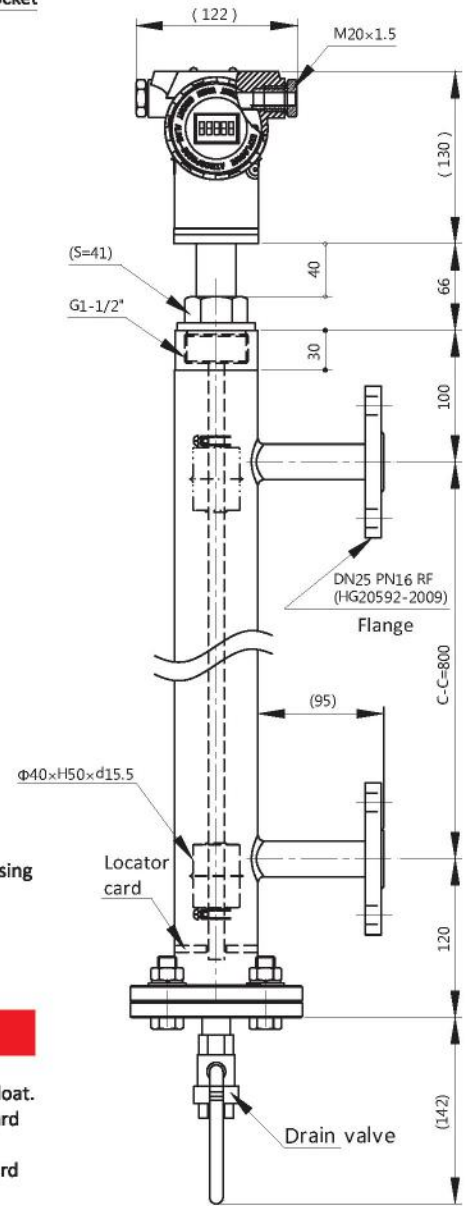
Product Structure



Wetted material: PVDF
 Typical application: photovoltaic and semiconductor industry



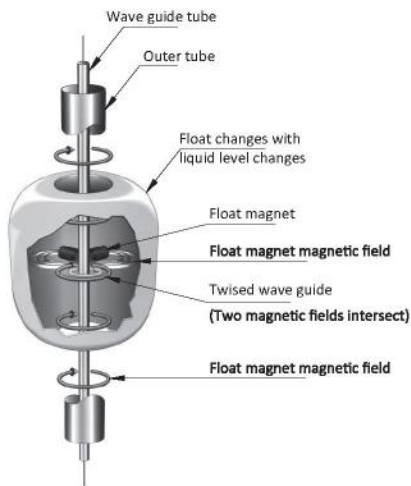
Wetted material: SUS304
 Typical application: Grain and oil processing plants and central air-conditioning



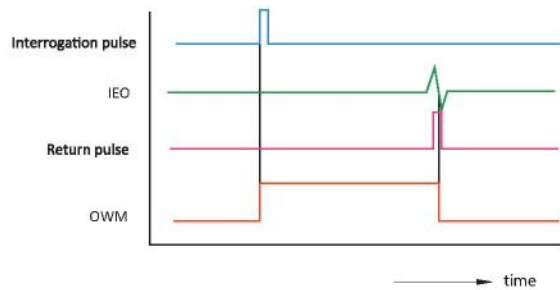
Wetted material: SUS304
 Typical application: petrochemical and Equipment Manufacturing industry

Working principle

The Magnetostrictive Level transmitter consists of three parts: probe rod, circuit unit and float. When measuring, the circuit unit generates current pulse and this pulse transmits downward along the magnetostrictive line and thus generates a ring-form magnetic field. The float is equipped probe rod outside and the float along the probe rod moves upward and downward with the change of the liquid level.



Structure diagram



work waveform graph

Technical parameter

Measuring range	50-5000mm
Measuring type	1 level/2level/level + temperature
Output	4-20Ma/-10-10VDC/RS/485/Hart Profibus
Accuracy	0.05±F.S
Operating current	<70mA
Operating temperature	-40—200°C
Power	±24VDC±10% / ±15VDC±10%
Repeatability	0.002mm
Resolution	0.15mm
Probe rod material	SUS304/SUS316/PP/PVDF
Process connection	Thread/flange/union
Protection grade	IP65/customization
Zero-point set up	100%F.S
Upper/lower dead zone	customization

Attached 1 : Selection table

Magnetostrictive level transmitter

Z: conventional type; E: Explosion proof type

F1: DN50PN1.0 flange; M1 : M20×1.5; N1 : 3/4"NPT; S1 : for Special specifications,the user need to tell us

R: Soft probe; Y: Hard probe

1: 304; 2: 316; 3: PP; 4: PVDF; 5: 316L; S: Special material to note

Code	Signal Output	Power supply
A	4~20mADC	+24VDC+10%
B	0~5VDC	+24VDC+10%
C	0~10VDC	+24VDC+10%
D	-5~5VDC	+15VDC+10%
E	-10~10VDC	+15VDC+10%
F	Modbus RS485	+24VDC+10%
G	Hart 4~20mA	+24VDC+10%

0: Cable;

1: Aviation plug;

2: SUS304 junction box;

3: SUS316L junction box;

4: PP junction box;

5: PVDF junction box

50-30000 mm (Customized)

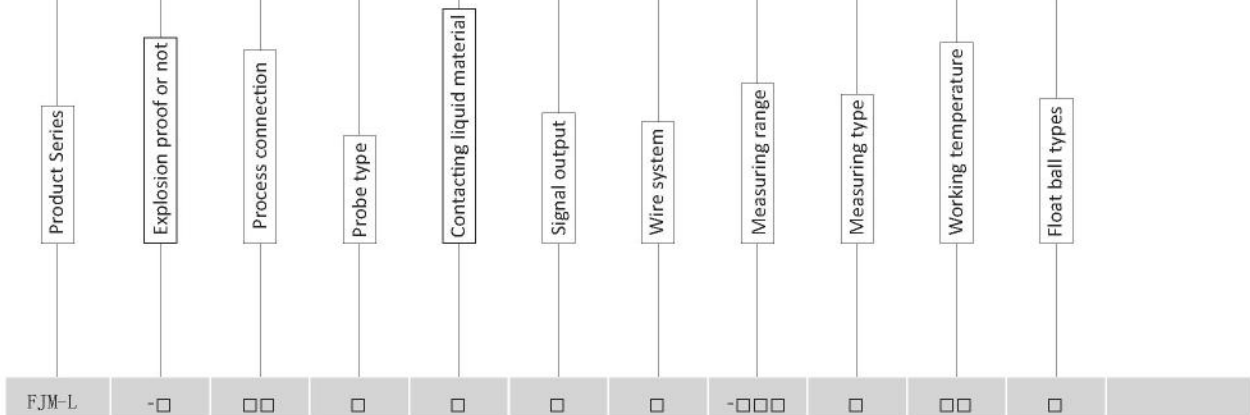
A: 1 level; B: 2 levels; C: level+temperature

T1: -40~85°C

T2: -40~120°C

T3: -40~200°C

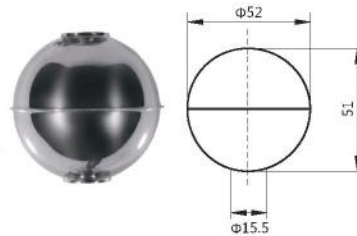
5: Select from the next Float Ball table



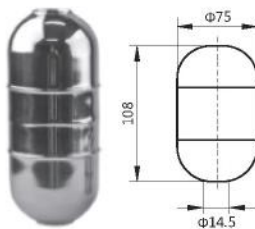
Attached2: magnetic float select ion table



Selection No : 1
 Material : SUS316
 Density : 0.55g/cm³
 Proof Pressure : 2.5MPa



Selection No : 2
 Material : SUS316
 Density : 0.80g/cm³
 Proof Pressure : 2.5MPa



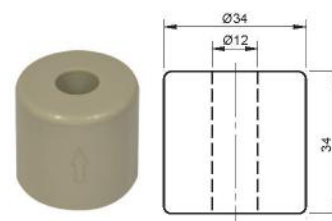
Selection No : 3
 Material : SUS304
 Density : 0.40g/cm³
 Proof Pressure : 2.5MPa



Selection No : 10
 Material : PVDF
 Density : 0.85g/cm³
 Proof Pressure : 0.5MPa



Selection No : 5
 Material : SUS316
 Density : 0.50g/cm³
 Proof Pressure : 1.0MPa



Selection No : 11
 Material : PP
 Density : 0.85g/cm³
 Proof Pressure : 0.5MPa

Note: This product can be customized