



Dimensions 48 × 96 × 80 mm (1/8 DIN)

Main features

- Operator interface with large LCD Display and three configurable bargraphs
- Scrolling diagnostics messages, configurable, in the selected language
- Easy, guided configuration, copy/paste parameters even with power off
- Preventive maintenance with energy counters (kWh) and load switching
- 32 function block applications
- 8 Math application blocks
- Timer, setpoint and algorithm programmer for controlling motorized valves
- Advanced tuning of control parameters
- Different password levels
- 2 setpoint programmers (192 steps in 16 programs, or 12 programs with 16 fixed steps each)
- 1 ingresso analogico lineare configurabile per funzioni ausiliarie
- 2 PID control loops
- 2 Programmatori di setpoint (192 passi in 16 programmi oppure 12 programmi da 16 passi fissi ciascuno)
- Relay, logic, isolated analog outputs
- Up to two TA inputs for interrupted load diagnostics
- RS485 serial communication in Modbus RTU slave
- RS485 serial communication in Modbus RTU master for reading/writing information to Modbus slave devices
- Ethernet Modbus TCP communication in Slave mode
- Web server for browser access to web pages residing in the device, for monitoring and setting parameters
- Bridge function for creation of Modbus RTU 485 sub-network
- Weekly clock/calendar with RTC
- Removable faceplate for immediate replacement
- Accuracy 0,1%, sampling time 60 ms

Operator Interface

Large backlit LCD screen with high visibility and high contrast. Two to three rows on the screen display variables, setpoints and alphanumerical information, scrolling up to 75 configurable messages of 32 characters each in three different languages. The selection of languages and easily comprehensible scrolling texts regarding diagnostics, alarms, and process statuses ensure that the controllers speak the users' language.

Control

One or two PID control loops with two universal inputs configurable for thermocouples, thermoresistances and linear inputs. They may be used independently to manage two different forms of control or they may interact with cascade or ratio control. An optional third linear analogue input may be used to acquire signals such as remote setpoints or retroactive valve feedback, while also supplying the necessary potentiometer power supply.

If the appropriate four-point calibration is performed in the field, the controller meets the requirements of standard AMS2750E and may be used in applications requiring the NADCAP directive.

Easy Configuration

Set-up wizard for manual-free programming with only a few indispensable parameters, commented by online help messages. Opportunity to create your own password-protected "User menu" containing only the parameters required for the application.

Advanced set-up and work recipe creation can be achieved via PC and GF_eXpress software, even without powering the controllers. GF_eXpress may be used to define, for each menu and parameter, which values will be shown to the controller to ensure easy use in the field.

Controllers can still be configured directly in the field using only four keys, associated with led lights that provide feedback when a button is pressed and guide the user by indicating the appropriate operations. Factory settings can be restored if necessary, either on the keyboard or using the GF_eXpress software tool. Diagnostics, preventive maintenance and consumption monitoring.

Exhaustive diagnostics for breakage or incorrect connection of probes, total or partial load breakdown, off-scale variables and anomalies in the control ring. Counters for the number of relay and compara-

tor switches, with alarm thresholds, permit scheduling of preventive maintenance to replace worn actuators. Two internal energy counters with alarms for anomalous variations count total energy consumption in kWh and its cost, permitting ongoing energy monitoring.

Diagnostics, preventive maintenance and consumption monitoring.

Exhaustive diagnostics in the event of breakage or incorrect connection of probes, total or partial breakage of the load, off-scale variables and anomalies in the adjustment ring. Relay switch counters and comparators with alarm signals permit planning of preventive maintenance work for replacement of worn actuators. Two internal energy counters with alarms for signalling anomalous variations totalise energy consumption in kWh and its cost, permitting uninterrupted energy monitoring.

Functional application blocks

Thirty-two logical AND, OR, Flip-Flop, Comparator, Counter and Timer Function Blocks permit creation of customised logical sequences for complete, flexible machine control. Eight mathematical Function Blocks permit processing of analogue vari-

ables and calculation of differences, sums, multiplication and division, averages, top and bottom values, square root calculation and logarithms. Function Blocks also permit management of 8+8 additional inputs/outputs available for models 1850 ¼ DIN.

Tuning

Advanced tuning algorithms refined over time guarantee stable, accurate control even with critical or very rapid thermal systems, automatically activated when necessary.

Timers

Three different types of timer permitting waiting times to be set before activating control, maintenance times on setpoint values, and scheduled set changes over time.

Setpoint programmers

Up to 192 steps are available for applications with setpoint profiles, each with a ramp and maintenance time, which can freely be grouped into up to 16 programmes. Each segment may be associated with enabling inputs, event outputs, and configurable messages to be displayed. In models 1850, the display also permanently shows the step number and programme number underway. Double programmer

mode, with a synchronous or asynchronous timing base, permits activation of two different setpoint profiles which may be independent of one another and may be associated with two control loops. The clock/weekly calendar function with a real-time clock and buffer battery facilitate starting and stopping of various programmes in default automatic mode.

Simplified keyboard configuration permits creation and editing of simple programmes with only three parameters per step, with no need for a PC, cables, or configuration software, while the extended configuration with Gf_eXpress also offers graphic functions for displaying the profiles created.

Valve positioner

Models are available for motorised valve control, with or without position feedback. The position of floating valves is calculated; for valves with potentiometers, auxiliary inputs can be used to control valve position and display it in numerical form or in one of 3 configurable bar graphs (for models 1650/1850)

Connectivity

850/1650/1850 "Performance" controllers have three different levels of communication with automation and supervision devices:

-RS485 Modbus RTU slave serial communication for interface with Master Modbus
-RS485 Modbus RTU master serial communication for reading/writing information toward Modbus slave devices such as power controllers or other controllers

-RJ45 Ethernet Modbus TCP port, which can also be used as a bridge toward Modbus RTU slave devices.

An Ethernet connection may be used to access the Web Server service offering a number of monitoring, diagnostics and configuration pages, accessible via local or remote networks with an ordinary browser and two password levels.

General features

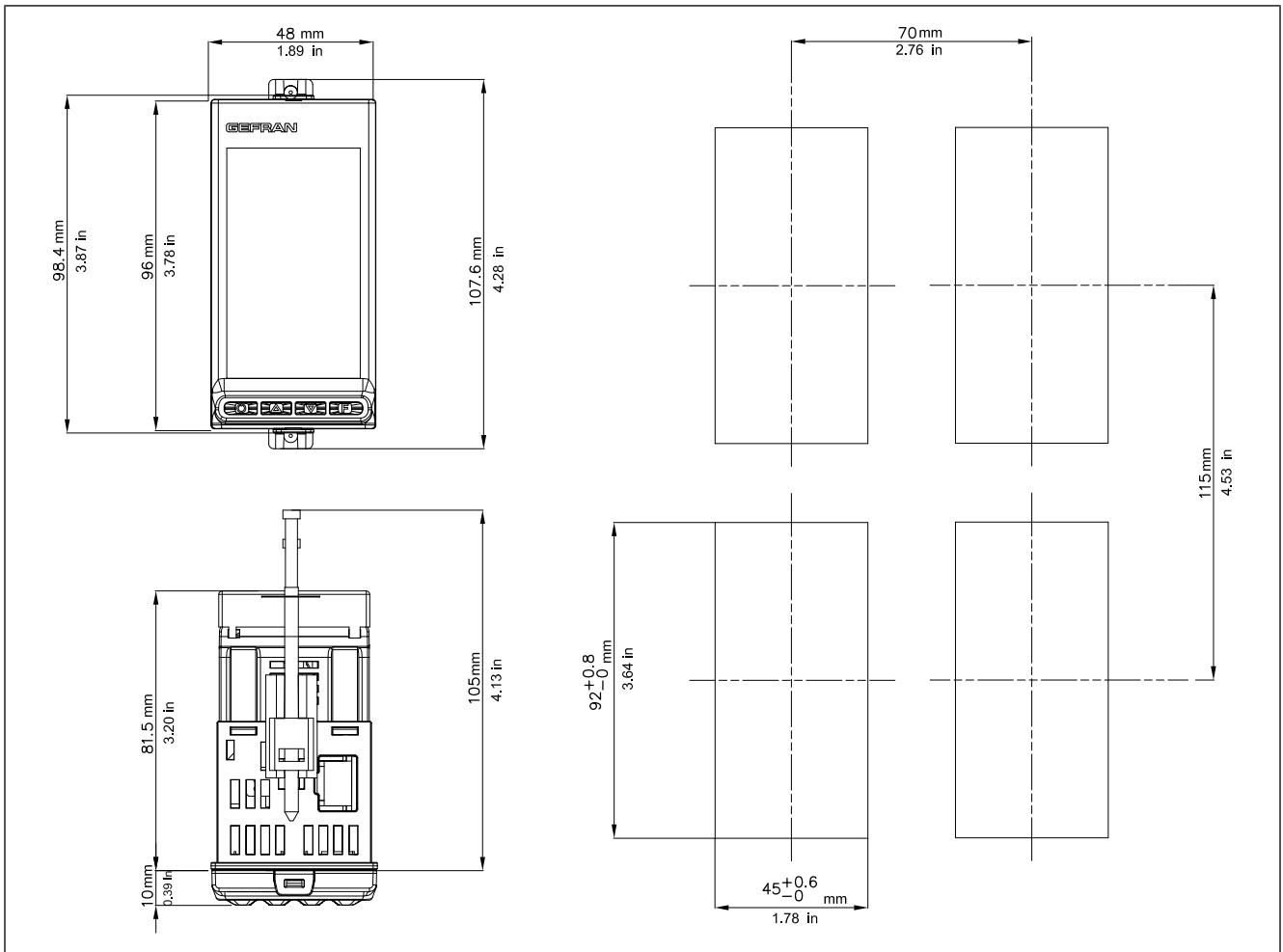
Performance controllers are entirely configurable using the software and keyboard, without accessing their internal electronics, but the controller can be replaced at any time by simply pulling it out from the front, with no further operations, maintaining IP65 protection for the front.

DISPLAY AND KEYS



- 1 Unit of measurement or number of program running or number of loop displayed.
- 2 State of outputs OUT1, OU2, OUT3, OUT4
- 3 Controller function states:
 - RUN = functioning (flashing = normal functioning, steady on = program running);
 - _/- = setpoint ramp active;
 - TUN = PID parameters tuning active;
 - MAN = manual/automatic (off = automatic control, on = manual control);
 - REM = remote setpoint enabled;
 - SP1/2 = setpoint active (off = setpoint 1, on = setpoint 2).
- 4 Work mode key (manual/automatic) in standard mode. A function can be assigned via parameter but1. The key is active only when the display shows the process variable (HOME).
- 5 Up/down keys: raise/lower the value of the parameter displayed on the SV or PV display.
- 6 F key: lets you navigate among controller menus and parameters. Confirms the parameter value and selects the next parameter.
- 7 Key pressed signals.
- 8 Displays percentage of power or current, configurable with parameter bAr.3.
- 9 Display of percentage of process variable and of setpoint.
- 10 F display: parameters, diagnostics and alarm messages. Configurable with parameter dS.F (default = % control power).
- 11 SVdisplay: parameter values. Configurable with parameter dS.SP (default = setpoint).
- 12 PV display: process variable.

DRILLING DIMENSION AND TEMPLATES



Note : the electronic components of a 1650 instrument made after January 2020 cannot be inserted in the casing of an instrument made prior to this date. If it should be necessary to replace an 1650 controller manufactured before January 2020 with a similar controller manufactured after this date, the casing anchored to the panel must also be replaced.

DATI TECNICI

OPERATOR INTERFACE

DISPLAY	Type	LCD black background
	Screen area (L x H)	37 × 68 mm
	Lighting	Backlit with LEDs, life > 40.000 hours @ 25 °C (with brightness level backl = 8)
	PV display	Number of digits: 4 to 7 segments, with decimal point Digit height: 17 mm Color: white
	SV display	Number of digits: 4 to 7 segments, with decimal point Digit height: 14 mm Color: green
	F display	Number of digits: 5 to 14 segments, with decimal point Digit height: 9 mm Color: amber
	Unit of measurement	Selectable, °C, °F or custom ¹ Color: same as PV display
	Controller state signals	Number: 6 (RUN, MAN, _/-, REM, SP1/2) Color: amber
	Output state signals	Number: 4 (1, 2, 3, 4) Color: red
	Bargraph indicator, configurable	Type: graphic bargraph, 11 segments Power indication: 0 ... 100% o -100 ... 100% Current indication: 0 ... 100% f.s. Valve position indication: 0 ... 100%
	Bargraph indicator	Type: double bar, 11 segments Indication of process variable and setpoint: 0...100% f.s.
KEYPAD	Keys number: 4, silicone (Man/Auto, INC,DEC,F) Type: mechanical	

INPUTS		
MAIN AND AUXILIARY INPUT (Main, Aux1, Aux2)	Sensor type	<ul style="list-style-type: none"> • Thermocouples, RTD (PT100, JPT100), IR pyrometers with type K output, 4...20mA, 0...20mA, 10V, 5V, 1V, 60mV, potenziometro • Reading accuracy : $\pm 0,1\%$ of value read <p>This Gefran controller, when subjected to the necessary calibration operations in the field, is suitable for use in Nadcap applications for any class of oven, from 1 to 6, according to specification AMS2750E, paragraph 3.3.1.</p>
	Thermocouple	<ul style="list-style-type: none"> • Types : J, K, R, S, T, C, D, B, E, L, L-GOST, U, G, N, Pt20Rh-Pt40Rh • Custom linearisation available • Linearisation accuracy: according to standard ITS90 polynomes; refer to user manual for details • Cool junction accuracy: $< \pm 1^\circ\text{C}$ a 25°C room temperature • Cool junction compensation : greater than 40:1 rejection at changes in room temperature exceeding 25°C <p>Diagnostics: Indication of faulty probe and out of scale</p>
	RTD input (Pt100 and JPt100)	<ul style="list-style-type: none"> • Types: Pt100, JPt100. Custom linearisation available • Calibration accuracy: $< \pm 0,1\%$ del valore letto in $^\circ\text{C} \pm 0,4^\circ\text{C}$ • Linearisation accuracy: $< \pm 0,062^\circ\text{C}$ • Thermal shift: $< (\pm 0.002\%$ of read value/$^\circ\text{C}$, starting from 25°C room temperature) $\pm 0.1^\circ\text{C}$ • Diagnostics: Indication of faulty probe and out of scale
	Linear DC input	<ul style="list-style-type: none"> • Types : 0...60 mV, 0...20mA, 4...20mA, 0...1V, 0...5V, 0...10V, 0...2.4V high impedance, 0...1.2V high impedance • Input impedance : <ul style="list-style-type: none"> 0...60mV, 0...1V, 0...1.2V, 0...2.4V : $> 100 \text{ M}\Omega$ 0...5V, 0...10V : $> 400 \text{ k}\Omega$ 0...20mA, 4...20mA : 50Ω • Linearisation: linear or custom • Calibration accuracy: $< 0.1\%$ full scale • Thermal shift: $< \pm 0.003\%$ full scale/$^\circ\text{C}$, starting from 25°C room temperature
	Sampling time	60 ms or 120 ms, selectable
	Digital filter	0,0...20,0 s configurable
	Rejection at network disturbance (48-62Hz)	Rejection at differential mode: $> 80 \text{ dB}$ Rejection at common mode: $> 150 \text{ dB}$
	Temperature unit of measure	Grado C / F, selectable on the keypad
	Reading interval	Type: linear Scale: -1999...9999, settable decimal point
	Insulation	Functional insulation between main and auxiliary inputs
TA (ammeter) INPUT	Type	Isolated via external transformer
	Accuracy	Number: 2 max Max. capacity: x / 50 mA AC Line frequency: 50/60 Hz Input impedance (Ri): 10Ω $\pm 2\%$ f.s. ± 1 digit @ 25°C
DIGITAL INPUTS	Number	5 max
	Type	Voltage-free contact, or NPN 24 V - 4,5 mA, o PNP 12/24 V - max 3,6 mA <i>For detail see electrical connections</i>
	Isolation	250 V

OUTPUTS		
	Relay (R)	Number: 4 max Type of relay contact: NO Max. current: 5A (2A at ambient temperature up to 45 ° C for certification UL), 250VAC / 30 VDC, $\cos\phi = 1$ Minimum load: 5 V, 10 mA Number of operations: > 600,000 @ 2A load current Double isolation Installation of an external R-C suppressor ("snubber") is recommended
	Logic (D)	Number: 2 max Type: for solid-state relays Voltage: 24 V $\pm 10\%$ (min 10 V @20 mA) Isolated from main input
	Isolated logic (M)	Number: 2 max Type: MOS optoisolated for PLC inputs and AC/DC load Voltage: 30 V AC/DC max Current: 100 mA max Resistance ON: 0,8 Ω max Isolation: 1500 V
	Triac (long life relè) (T)	Number: 1 max Load: resistive Voltage: 75...240 VAC Current max: 1 A Isolation 3 kV snubber circuit integrated zero crossing switching
	Continuous (C)	Number: 1 max Current: 4...20mA $R_{out} < 500 \Omega$ Resolution: 12 bit Isolated from main input
	Analog retransmission (A1) (A2)	Number: 2 max 0...10 V, max 20 mA, $R_{out} > 500 \Omega$ 0...20 mA, 4...20 mA, $R_{out} < 500 \Omega$ Resolution: 12 bit Isolated from main input
ALARMS	Number of alarm functions	4 max, assignable to an output
	Possible configurations	Maximum, minimum, symmetric, absolute/relative, exclusion at firing, memory, reset from keypad and/or contact, LBA, HB, HBB Hold Back Band if enabled with Programmer function, alarm after power variation at full power
POWER SUPPLY	For sensor VT1, VT2	Voltage: 24 VDC $\pm 10\%$ Current max: 30 mA VT1 option of Out3
	For potentiometer VP	Voltage: 1 VDC $\pm 1\%$ Current max: 30 mA
CONTROL FUNCTIONS		
CONTROL	Type	Single loop, double loop
	Control	PID, ON/OFF, single action heat or cool, double action heat/cool
	Control output	Continuous or ON/OFF Cycle time: constant or optimized (BF)
	Control output for motorized valves	OPEN/CLOSE for floating motorized valve or with feedback with position control by potentiometer on Relay, Solid-state, Triac outputs.
SETPOINT PROGRAMMER (Double programmer if double loop)	Number of programs	Max 16 (if double loop 8 + 8) (*) Start / Stop / Reset / Skip via digital inputs and/or outputs from logic operations Output state: Run /Hold / Ready / End
	Number of steps	Max 192, each with own setpoint, ramp time and hold time (**) Times settable in HH:MM or MM:SS Max 4 consents, configurable for ramp and for hold Max 4 events, configurable in ramp and in hold
MULTIPLE SETPOINTS	Number of setpoints	Max 4, selectable from digital input Each setpoint change is subject to set ramp, different for up and down ramp
LOGIC OPERATIONS ¹	Digital function blocks	Max 32, with 4 input variables per block. The result can act on the state of the controller, of the programmer on alarms and outputs. Each function contains a block type AND, OR with TIMER
OPERATIONS MATHEMATICAL ¹	Analog function blocks	Max 8, with 2 input variables per block, with operators such as +, -, \times , \div , average, square root, ... The result may act on analog variables in input to PID loops (controlled variable, setpoint) or analog outputs .
TIMER FUNCTION	Modes	START / STOP (2 timer if double loop) STABILIZATION (timer is on when PV enters a band set around setpoint; at end of count you can activate an output, shut down SW or change SP1/SP2) FIRING (timed activation of control after power on)
ENERGY COUNTER		Calculation done on nominal line voltage and nominal load power or on rms current measured on load via CT

DIAGNOSTIC		Short circuit or open circuit (LBA alarm) Interrupted or partially interrupted load (HB alarm) Short circuit of control output (SSR alarm)
RETENTIVE MEMORY	Type	FRAM
	Max. number of writes	Number max: > 10 ¹⁰ cycles Retention: > 10 anni

(*) if in standard mode; if in "Simplified programmer" mode, Max 12 programs

(**) freely selectable in any program, if in standard mode; if in "Simplified programmer" mode, MAX 16 steps per program, in a set order: Program 1 Step 1-16, Program 2 Step 17 – 32, and so on

GENERAL DATA

POWER SUPPLY	Operating voltage	100...240 VAC/VDC ±10%, 50/60 Hz (20...27 VAC/VDC ±10%, 50/60 Hz)
	Power dissipation	10 W max
	Protections	Overvoltage 300 V / 35 V
	Connection	Screw terminals and crimp connector, max. wire section 1 mm ²
CONNECTIONS	Serial configuration port	Connector: microUSB
	RS485 (option)	Baudrate: 1200, 2400, 4800, 9600, 19.200, 38.400, 57.600, 115.200 bit/s Protocol: Modbus RTU Insulation compared to main entrance Screw terminals and crimp connector, max. wire section 2.5mm ²
	Master Modbus	Baudrate: 1200, 2400, 4800, 9600, 19.200, 38.400, 57.600, 115.200 bit/s Protocol: Modbus RTU Master Connector: RJ10
	RTU Bridge	Baudrate: 1200, 2400, 4800, 9600, 19.200, 38.400, 57.600, 115.200 bit/s Protocol: Modbus RTU Master Screw terminals and crimp connector, max. wire section 2.5mm ²
	Ethernet Modbus TCP e Webserver (opzione)	Baudrate : 10/100BaseTX, 10/100Mbit/s Protocol : Modbus TCP slave, integrated Webserver Isolamento compared to other peripherals RJ45 Standard connector
	Inputs and outputs	Screw terminals and crimp connector, max. wire section 2.5mm ²
AMBIENT CONDITIONS	Use	Indoor
	Altitude	2000 m max
	Operating temperature	-10 ... +55 °C (as per IEC 68-2-14)
	Storage temperature	-20 ... +70 °C (as per IEC 68-2-14)
	Relative humidity	20...85% RH non-condensing (as per IEC 68-2-3)
PROTECTION LEVEL		IP 65 on front panel (as per IEC 68-2-3)
ASSEMBLY	Positioning	On panel, removable faceplate
	Installation regulations	Installation category: II Pollution degree: 2 Isolation: double
DIMENSIONS		48 X 96 mm (1/8 DIN) Depth: 80 mm
WEIGHT		0,24 kg
CE STANDARDS	EMC conformity (electromagnetic compatibility)	Conforms to Directive 2014/30/EU norme EN 61326-1 Emissions in industrial environment classe A
	LVD safety	Conforms to Directive 2014/35/EU norme EN 61010-1
CERTIFICATIONS	Generals	This Gefran controller, when subjected to the necessary calibration operations in the field, is suitable for use in Nadcap applications for any class of oven, from 1 to 6, according to specification AMS2750E, paragraph 3.3.1.
	Europe	CE, RoHS, REACH
	USA, Canada	UL, cUL
	Russia	EAC

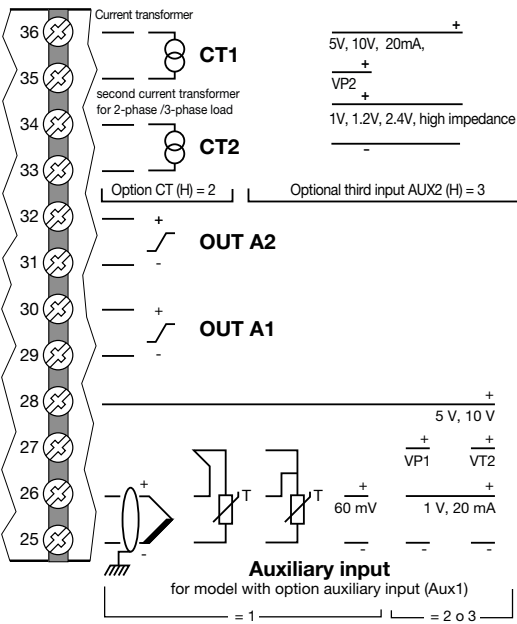
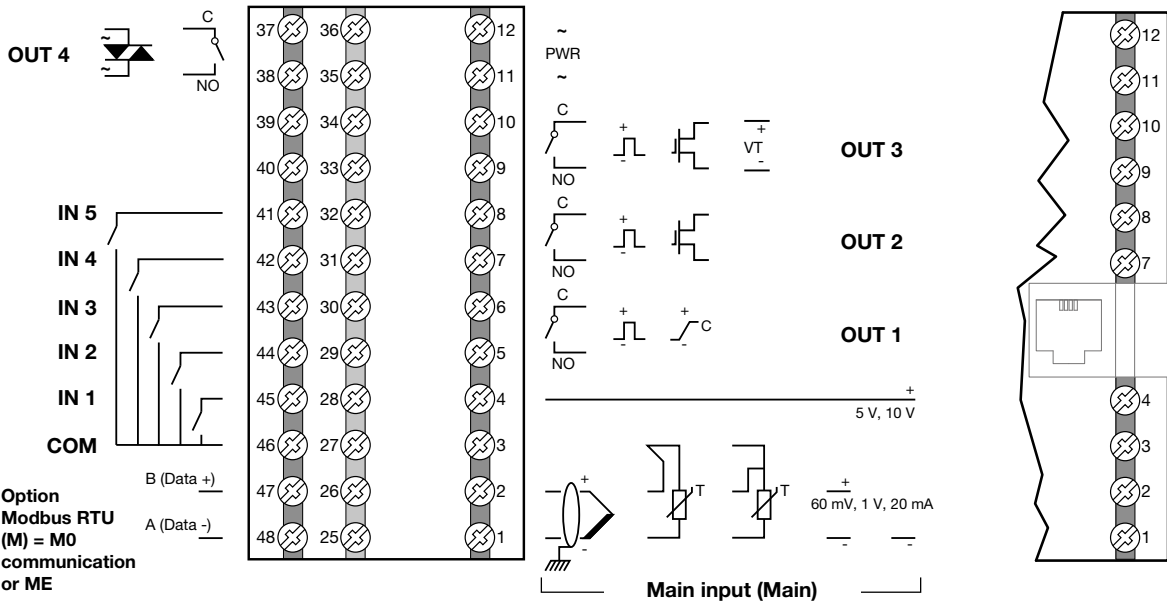
1) Programming is done with the GF_eXpress configuration program.

ACCESSORIES

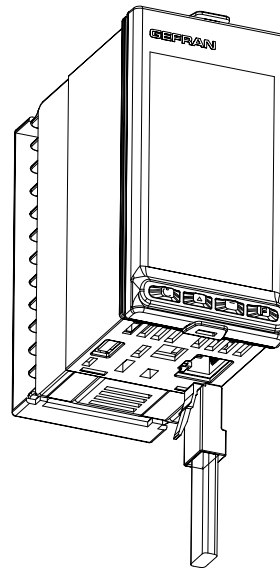
Code	Description	Compatibile		
		850	1650	1850
F060800	Cable for programming with PC, USB-TTL 3 V with USB – microUSB connectors, length 1.8 m	•	•	•
F043958	“GF_eXpress” software CD	•	•	•
F060909	Configuration kit for new instruments GF_eXK-3-0-0	•	•	•
51968	Rubber gasket 48×48 front-box	•		
51969	Rubber gasket 48×96 front-box		•	
51970	Rubber gasket 96×96 front-box			•
51292	Rubber gasket 48×48 box-panel	•		
51068	Rubber gasket 48×96 box-panel		•	
51069	Rubber gasket 99×96 box-panel			•
51250	Fastening box to panel	•		
49030	Fastening box to panel		•	•
51294	Protection of contacts at box bottom	•		
51328	Protection of contacts at box bottom		•	•
51454	18 contacts at box bottom	•		
51453	24 contacts at box bottom	•		
51738	36 contacts at box bottom		•	•
330200	Current transformer (CT) 50/0.05 A	•	•	•
330201	Current transformer (CT) 25/0.05 A	•	•	•

CONNECTION DIAGRAMS

with option OUT1
Master Modbus (B) = G



With Ethernet communication option(M) = E0 or ME



LEGEND

<p>~ PWR Power supply</p> <p>+ Linear input in voltage / current</p> <p>Input for current transformer</p>	<p>Isolated digital inputs</p> <p>Thermocouple input</p> <p>Input PT100 JPT100 2 / 3wires</p>	<p>Relay output</p> <p>Long-life solid state relay output</p> <p>Logic output</p> <p>Isolated logic output</p> <p>Isolated analog output</p>	<p>B (Data +) RS485 serial line</p> <p>A (Data -)</p> <p>Supply transmitter</p> <p>Supply potentiometer</p>
---	---	--	---



ATTENTION: For correct installation, read the warnings contained in the user manual.

ORDERING CODE

Ordering code: 1650 X - X - X X X - 0 - X - X X - X - X X - 00 - X - X X

Model (A)

Controller	
Programmer	P
Valve (1)	V
Programmer+valve (1)	PV

Output 1 (B)

Relay	R
Logic	D
Analog	C
Master Modbus RTU communication	G

Output 2 (C) Output 3 (D)

Relay - Relay	R R
Logic - Logic	D D
Isolated logic - Isolated logic	MM
Relay - VT1 24 V	R V
Logic - VT1 24 V	D V
Isolated logic - VT1 24 V	M V

Output 4 (E)

Absent	0
Relay	R
Long Life relay	T

Retransmission (G)

Absent	0
Analogue A1	1
Analogue A1 + A2	2

Function (P)

00	Absent
FB	Logical + mathematical operations
CK	RTC + Logical operations + mathematical

Supply (O)

0	20...27 VAC / VDC
1	100...240 VAC / VDC

Communication (M)

00	Absent
M0	RS485 Modbus RTU (slave)
E0	Ethernet Modbus TCP
ME	Ethernet Modbus TCP / RTU bridge

Digital inputs (L)

0	Absent (3)
5	5 DI

Auxiliary input (I)

0	Absent
1	Input Aux : TC, RTD, 60mV
2	Input Aux: 1V/5V/10V/20mA + VP 1 V
3	Input Aux : 1V/5V/10V/20mA + VT2 24 V

Input CT / 3° Analog input (H)

0	Absent
2	CT1 + CT2
3	3° Input Aux + VP 2 1 V (4)

Notes

- 1) Only with option (C) = R and (D) = R
- 3) Only with option E-M = 0
- 4) Only with option (I) = 1,2,3

UL	Conformity C/UL/US File no. E216851
CE	EMC: Compliance with Directive 2014/30 / EU, with reference to EN 61326-1 emission in industrial environment class A Security LVD: Compliance with Directive 2014/35 / EU, with reference to EN 61010-1
EAC	
RoHS ✓	