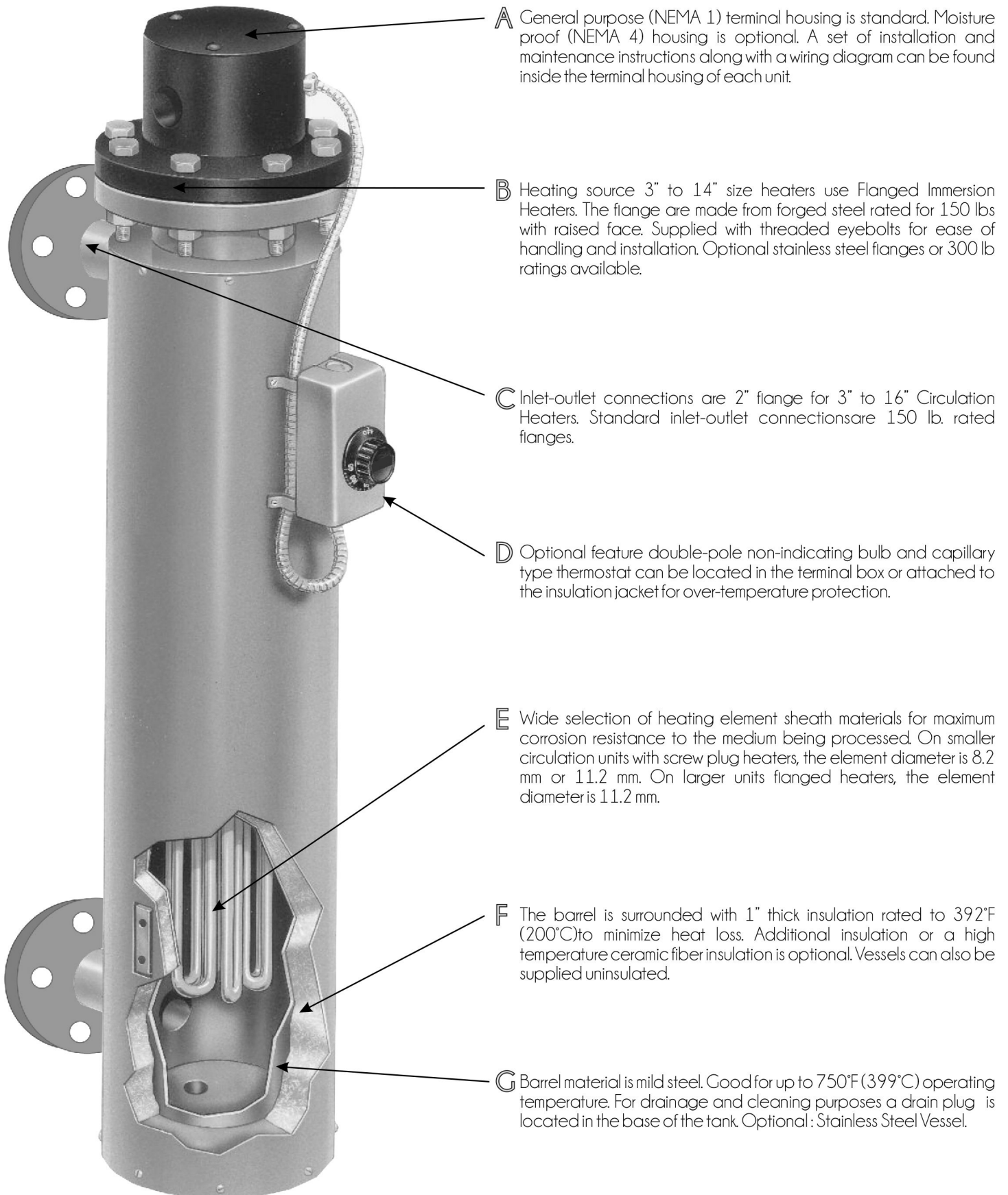


## CIRCULATION HEATERS

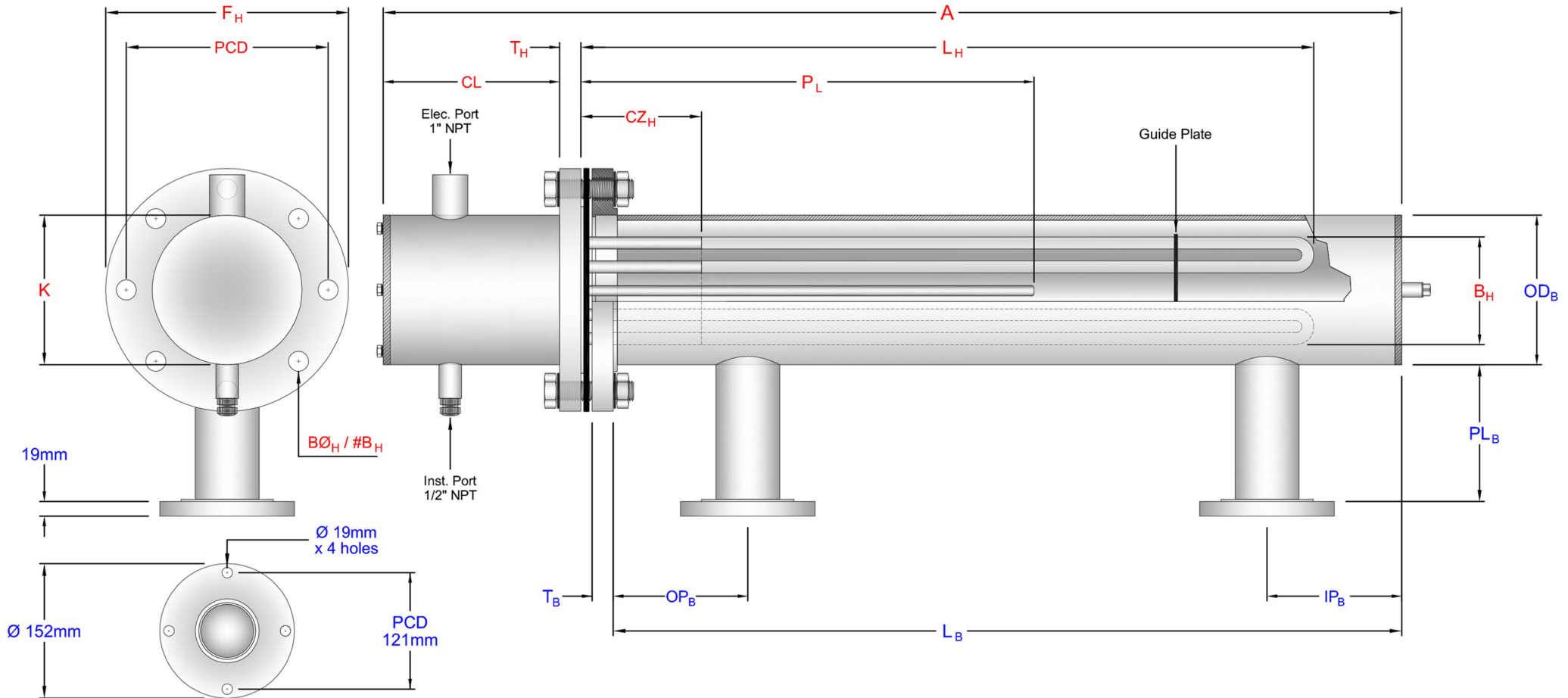


# FLANGED CIRCULATION HEATER



To Order : Please specify the complete assembly, indicate the code letter or value for each option.

HEATER	Overall Length	Heater Length	Heater Flange					Cold Zone	Heater Bundle	NEMA 1 Housing		Pocket Length
	A	L <sub>H</sub>	BØ <sub>H</sub>	#B <sub>H</sub>	T <sub>H</sub>	PCD	F <sub>H</sub>	CZ <sub>H</sub>	B <sub>H</sub>	K	CL	P <sub>L</sub>
BARREL	-	Barrel Length	Barrel Flange					-	Barrel OD	Port		Port Length
		L <sub>B</sub>	BØ <sub>B</sub>	#B <sub>B</sub>	T <sub>B</sub>	PCD	F <sub>B</sub>		OD <sub>B</sub>	OP <sub>B</sub>	IP <sub>B</sub>	PL <sub>B</sub>



# FLANGE CIRCULATION HEATER ORDER CODE TABLE



To Order : Please specify the complete assembly, indicate the code letter or value for each option.

Model	Flange	Length - L <sub>H</sub>	Cold Zone - CZ <sub>H</sub>	Element(s)	Sheath	Wattage	Supply	Phase	Type	Housing
HE - FI6	MS	835	75	15	S4	24000	440	3P	D	GP

Material	
MS	Mild Steel
S4	Stainless 304
S6	Stainless 316

Material	
S4	Stainless 304
S6	Stainless 316
Inc840	Incoloy 840

Phase	
1P	Single Phase
3P	Three Phase

Type	
GP	NEMA 1 GP Housing

Type	
D	Delta
Y	Wye

Model	Description
HE - FI3	3 " ANSI 150lbs, RF, Flange Immersion Heater
HE - FI4	4 " ANSI 150lbs, RF, Flange Immersion Heater
HE - FI5	5 " ANSI 150lbs, RF, Flange Immersion Heater
HE - FI6	6 " ANSI 150lbs, RF, Flange Immersion Heater
HE - FI8	8 " ANSI 150lbs, RF, Flange Immersion Heater
HE - FI10	10" ANSI 150lbs, RF, Flange Immersion Heater
HE - FI12	12" ANSI 150lbs, RF, Flange Immersion Heater
HE - FI14	14" ANSI 150lbs, RF, Flange Immersion Heater

MEDIUM	
FLOW RATE	CFM
INLET TEMP	°C
OUTLET TEMP	°C

Example:

HE - FI6	MS	835	75	15	S4	24000	440	3P	D	GP
----------	----	-----	----	----	----	-------	-----	----	---	----

- 6" ANSI 150lbs, RF, Flange Immersion Heater
- Mild Steel Flange
- 835mm Immersion Length
- 75mm Cold Zone
- 15 Elements
- SS304 Sheath Material
- 24,000 Watts... Wattage
- 440 Vac... Supply
- 3 Phase
- Delta Connection
- NEMA 1 General Purpose Housing

REFERENCE TABLE											
Elements And Dimensions											
Flange Size	Flange Mounting		Flange Thickness	Mounting Bolt Circle	Flange Diameter	Cold Zone Length	Bundle Diameter	NEMA 1 Housing		Number Of Elements	
ANSI 150lbs RF	Bolt Hole		T <sub>H</sub>	PCD	F <sub>H</sub>	CZ <sub>H</sub>	B <sub>H</sub>	K	CL	Standard	Maximum
	MM	Number	MM	MM	MM	MM	MM	MM	MM		
3	19	4	24	152	191	100	70	117	80	3	6
4	19	8	24	191	229	100	98	152	100	6	6
5	22	8	24	216	254	100	127	178	100	6	9
6	22	8	25	241	279	100	152	203	150	12	15
8	22	8	29	298	343	150	198	254	150	18	24
10	25	12	30	362	406	150	248	295	150	27	36
12	25	12	32	432	483	150	298	343	150	36	54
14	29	12	35	476	533	150	324	384	150	45	72