

6HS Metal Heater

Durable, efficient metal heater. Available in Steel, 304 Stainless Steel, 316 Stainless Steel, and Titanium.



FEATURES

For use in most aqueous alkaline solutions, plating and phosphate tanks. Check solution recommendation chart with your chemical supplier for proper sheath material selection.





Heavy wall metal sheaths available in: steel, 304 stainless steel, 316 stainless steel, titanium.

Watt densities up to 46 watts per square inch (6.2 w/cm²) ensure long service life.

Vapor-resistant, flame retardant polypropylene terminal enclosure with 3 ft (.9m) flexible PVC liquid tight conduit.

Temperature and level controls sized to match the heater.

Lower watt densities for highly viscous solutions.

 <p>Temperature: Up to 180°C</p>	 <p>200 to 600 volts, 600V on 4,500W or lower only</p>
 <p>Watts: 6000 to 21,000</p>	 <p>cULus listed (except steel). CE compliant (except 600 volts)</p>

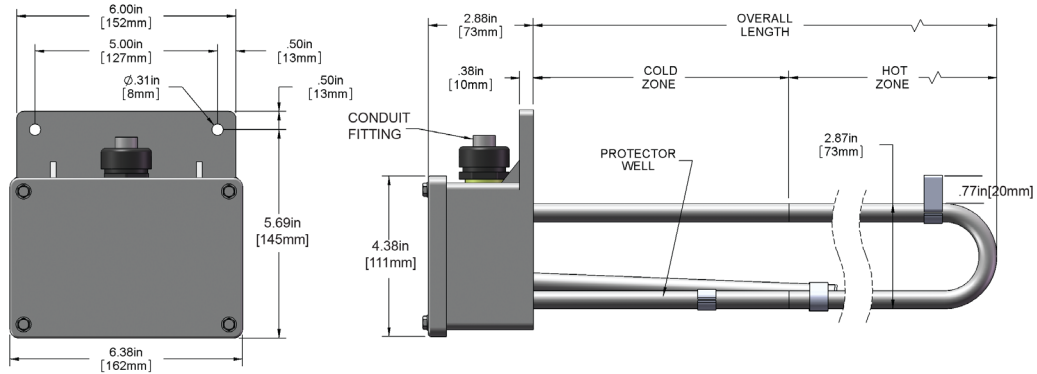
6HS SERIES, SIX ELEMENT STAINLESS STEEL HEATERS					
WATTS	VOLTS	HOT ZONE In./(mm)	OVERALL LENGTH In./(mm)	MODEL NUMBER	SHIP WGT. Lbs./(kg)
6000	240	10	17	6HS6217-**	12
	480	(254)	(432)	6HS6417-**	(5.4)
9000	240	16	23	6HS9223-**	13
	480	(406)	(584)	6HS9423-**	(5.9)
15000	240	20	29	6HS15229-**	16
	480	(508)	(737)	6HS15429-**	(7.3)
21000	240	25	34	6HS21234-**	18
	480	(635)	(864)	6HS21434-**	(8.2)

6HS Metal Heater

SPECIFICATIONS

Wattages	1000 Watts to 12,000 Watts
Voltages	120 volts to 600 volts, (600V on 4,500W or lower only)
Temperature Range	Up to 180°C (82°F)
Options	Special configurations & lengths Longer wire and conduit lengths All metal welded junction box
Safety Features	Grounded construction Thermal protector built in. Replaceable PI protector standard for solutions up to 180°C (82°F). See chart below for options

DIMENSIONS



MODEL NUMBER BREAKDOWN

6HS	6	2	29	-	P4	-
Series	Wattage	Voltage	Overall Length (In.)	Phase	Type of Protector	Wire & Conduit Length
6HS = 6 element, 316 stainless steel	6 = 6000	1 = 120	17 = 6kW	X = any special configuration	Replaceable Fuse	36" length standard (no designator)
	9 = 9000	2 = 240	23 = 9kW	no designator = three phase power (std)	P1 (std) = solutions up to 180°F	Specify variations from standard Ex: -X84 = 84"
	15 = 15000	4 = 480	29 = 15kW	-1 = single phase power	P4 = solutions up to 230°F	
	21 = 21000	-208 = 208	34 = 21kW		P5 = solutions up to 300°F	
		-380 = 380			Resettable Fuse	
		-415 = 415			P2 = solutions up to 180°F	
		-600 = 600			P6 = solutions up to 230°F	
					P7 = solutions up to 300°F	