

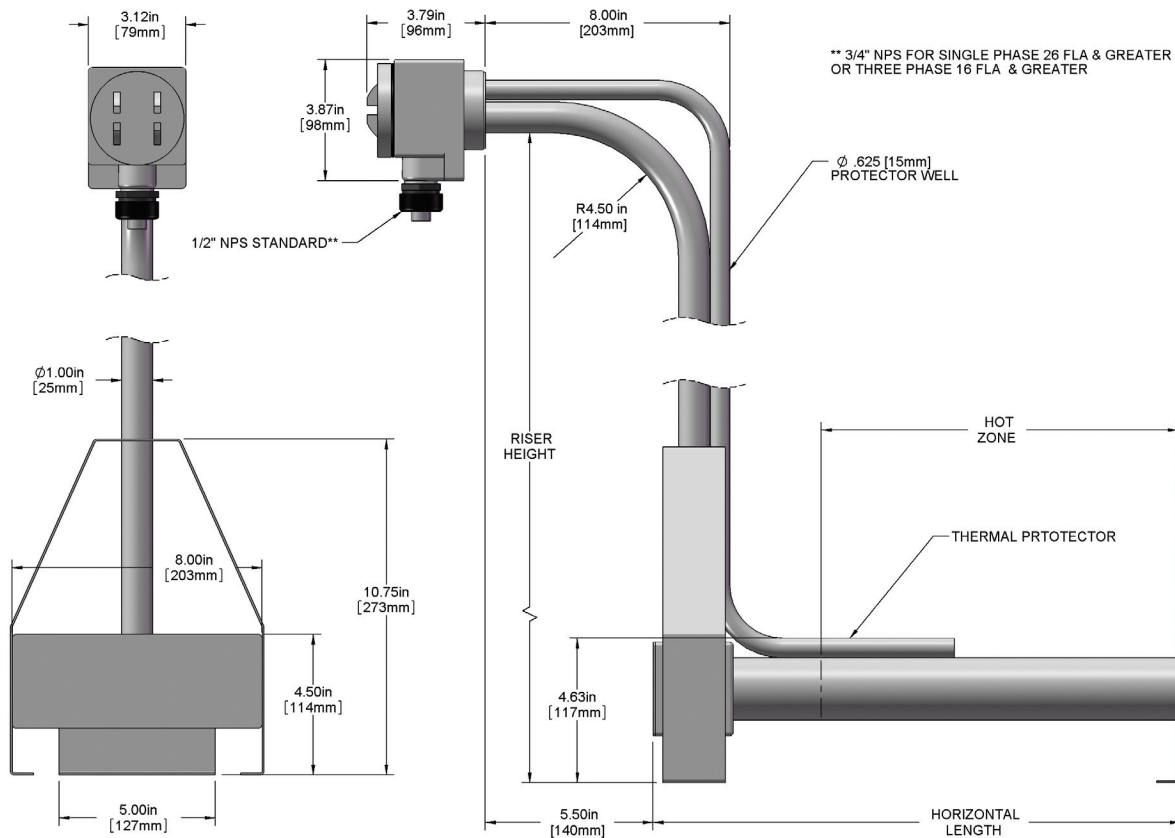
3L SERIES, TRIPLE METAL L-SHAPED HEATERS								
WATTS	VOLTS	STD.		STEEL	304 SS	316 SS	TITANIUM	SHIP WGT. Lbs./ (kg)
		HORIZ. In./ (mm)	VERT.* In./ (mm)					
3000	240	13	15	3LP3213-R*-**	3LF3213-R*-**	3LS3213-R*-**	3LT3213-R*-**	30
	480	(330)	(380)	3LP3413-R*-**	3LF3413-R*-**	3LS3413-R*-**	3LT3413-R*-**	(14)
6000	240	17	37	3LP6217-R*-**	3LF6217-R*-**	3LS6217-R*-**	3LT6217-R*-**	33
	480	(430)	(940)	3LP6417-R*-**	3LF6417-R*-**	3LS6417-R*-**	3LT6417-R*-**	(15)
9000	240	22	37	3LP9222-R*-**	3LF9222-R*-**	3LS9222-R*-**	3LT9222-R*-**	36
	480	(560)	(940)	3LP9422-R*-**	3LF9422-R*-**	3LS9422-R*-**	3LT9422-R*-**	(16.5)
12000	240	26	37	3LP12226-R*-**	3LF12226-R*-**	3LS12226-R*-**	3LT12226-R*-**	39
	480	(660)	(940)	3LP12426-R*-**	3LF12426-R*-**	3LS12426-R*-**	3LT12426-R*-**	(18)
15000	240	31	37	3LP15231-R*-**	3LF15231-R*-**	3LS15231-R*-**	3LT15231-R*-**	42
	480	(790)	(940)	3LP15431-R*-**	3LF15431-R*-**	3LS15431-R*-**	3LT15431-R*-**	(19)
18000	240	36	50	3LP18236-R*-**	3LF18236-R*-**	3LS18236-R*-**	3LT18236-R*-**	45
	480	(915)	(1270)	3LP18436-R*-**	3LF18436-R*-**	3LS18436-R*-**	3LT18436-R*-**	(20.5)
24000	240	44	50	3LP24244-R*-**	3LF24244-R*-**	3LS24244-R*-**	3LT24244-R*-**	54
	480	(1120)	(1270)	3LP24444-R*-**	3LF24444-R*-**	3LS24444-R*-**	3LT24444-R*-**	(24.5)
27000	480	50	50	3LP27450-R*-**	3LF27450-R*-**	3LS27450-R*-**	3LT27450-R*-**	60
			(1270)					(27.5)
30000	480	55	50	3LP30455-R*-**	3LF30455-R*-**	3LS30455-R*-**	3LT30455-R*-**	66
			(1400)					(30)
36000	480	64	50	3LP36464-R*-**	3LF36464-R*-**	3LS36464-R*-**	3LT36464-R*-**	75
			(1625)					(34)

* Specify vertical length by adding height in inches after "-R". Example: 3LS6217-R39-P1.

Product Features and Benefits:

- ◆ **SUPERIOR CHEMICAL RESISTANCE:** Materials available for use in most aqueous alkaline solutions, plating solutions, and rinse tanks. Check solution recommendation chart or with your chemical supplier for proper sheath material selection.
- ◆ **RUGGED CONSTRUCTION:** Heavy wall metal sheaths available in:
 - Steel.
 - 304 stainless steel.
 - 316 stainless steel.
 - Titanium.
- ◆ **OUTSTANDING PERFORMANCE:** Watt densities of 35 watts per square inch (5.4 w/cm²) ensure long service life. Two-inch sludge legs standard, other lengths available.
- ◆ **EVEN HEATING:** Bottom design for even heating and varying liquid levels.
- ◆ **CORROSION RESISTANT HEAD:** Vapor resistant, flame retardant polypropylene terminal enclosure with 3-foot (.9m) flexible PVC liquid tight conduit.
- ◆ **SAFETY FEATURES:**
 - Grounded construction.
 - Thermal protector built in. Replaceable P1 protector standard for solutions up to 180°F (82°C).
 - Non-floating construction.
- ◆ **CERTIFICATIONS:** UL listed (except steel) to U.S. and Canadian safety requirements, and CE.
- ◆ **SIZES:** 3,000 watts to 36,000 watts.
- ◆ **VOLTAGES:** 120 to 600 volts. Three phase standard, single phase available.
- ◆ **OPTIONS AVAILABLE** (consult factory):
 - Replaceable thermal protectors:
 - P4: for solutions from 180°F (82°C) to 230°F (110°C).
 - P5: for solutions from 230°F (110°C) to 300°F (150°C).
 - Resettable thermal protectors:
 - P2: for solutions up to 180°F (82°C).
 - P6: for solutions from 180°F (82°C) to 230°F (110°C).
 - Special configurations and vertical lengths.
 - Longer wire and conduit lengths.
 - Longer sludge legs.
 - Flexible risers (available with P2 thermal protectors only).
 - Lower watt densities for highly viscous solutions.
 - Temperature and level controls sized to match the heater.

DIMENSIONS



** 3/4" NPS FOR SINGLE PHASE 26 FLA & GREATER
OR THREE PHASE 16 FLA & GREATER

TRIPLE TUBE METAL L-SHAPED HEATER ORDERING INFORMATION

Series	Wattage	Voltage	Horizontal Length (in.)	Vertical Length (in.)	Riser Option	Options	Type of Protector	Wire and Conduit Length												
3 = 3000 6 = 6000 9 = 9000 12 = 12000 15 = 15000 18 = 18000 24 = 24000 27 = 27000 30 = 30000 36 = 36000	1 = 120 2 = 240 3 = 380 4 = 480 5 = 415 6 = 600 7 = 400 8 = 208 9 = 220 0 = 200	13 = 3kW 17 = 6kW 22 = 9kW 26 = 12kW 31 = 15kW 36 = 18kW 44 = 24kW 50 = 27kW 55 = 30kW 64 = 36kW	-R15 = 3kW -R37 = 6kW -R37 = 9kW -R37 = 12kW -R37 = 15kW -R50 = 18kW -R50 = 24kW -R50 = 27kW -R50 = 30kW -R50 = 36kW (custom lengths available) Ex: -R21 = 21" -FR = flex riser Ex: -FR21 = 21"	no designator = 36" length standard specify variations from standard Ex: -X84 = 84"	<table border="1" style="width: 100%; border-collapse: collapse;"> <tr> <th colspan="2" style="text-align: center;">Replaceable Protector</th> </tr> <tr> <td style="text-align: center;">-P1</td> <td style="text-align: center;">for solutions up to 180°F</td> </tr> <tr> <td style="text-align: center;">-P4</td> <td style="text-align: center;">for 180° - 230°F solutions</td> </tr> <tr> <th colspan="2" style="text-align: center;">Resettable Protector</th> </tr> <tr> <td colspan="2" style="text-align: center;">(additional control components required)</td> </tr> <tr> <td style="text-align: center;">-P2</td> <td style="text-align: center;">for solutions up to 180°F</td> </tr> <tr> <td style="text-align: center;">-P6</td> <td style="text-align: center;">for 180° - 230°F solutions</td> </tr> </table>	Replaceable Protector		-P1	for solutions up to 180°F	-P4	for 180° - 230°F solutions	Resettable Protector		(additional control components required)		-P2	for solutions up to 180°F	-P6	for 180° - 230°F solutions	no designator = three phase power (standard) -1 = single phase power
Replaceable Protector																				
-P1	for solutions up to 180°F																			
-P4	for 180° - 230°F solutions																			
Resettable Protector																				
(additional control components required)																				
-P2	for solutions up to 180°F																			
-P6	for 180° - 230°F solutions																			
<table border="1" style="width: 100%; border-collapse: collapse;"> <tr> <td>3LP = steel 3LF = 304 stainless steel 3LS = 316 stainless steel 3LT = titanium</td> </tr> </table>			3LP = steel 3LF = 304 stainless steel 3LS = 316 stainless steel 3LT = titanium	<table border="1" style="width: 100%; border-collapse: collapse;"> <tr> <td>no designator = 90° horizontal bend (standard) -S = straight riser</td> </tr> </table>		no designator = 90° horizontal bend (standard) -S = straight riser	<p style="text-align: center;">1 inch = 25.4mm</p>													
3LP = steel 3LF = 304 stainless steel 3LS = 316 stainless steel 3LT = titanium																				
no designator = 90° horizontal bend (standard) -S = straight riser																				