

T SERIES, 2" TUBULAR SCREW PLUG HEATERS							
WATTS	VOLTS	OVERALL LENGTH In./(mm)	PIPE THREAD	304 SS	316 SS	TITANIUM	SHIP WGT. Lbs./(kg)
1000	120	10	2	FT1110	ST1110	TT1110	11
	240	(254)		FT1210	ST1210	TT1210	(5)
2000	120	14	2	FT2114	ST2114	TT2114	14
	240	(356)		FT2214	ST2214	TT2214	(6.4)
	480			FT2414	ST2414	TT2414	
3000	240	19	2	FT3219	ST3219	TT3219	16
	480	(483)		FT3419	ST3419	TT3419	(7.3)
4000	240	23	2	FT4223	ST4223	TT4223	20
	480	(584)		FT4423	ST4423	TT4423	(9.1)
6000	240	33	2	FT6233	ST6233	TT6233	26
	480	(838)		FT6433	ST6433	TT6433	(11.8)
8000	240	40	2	FT8240	ST8240	TT8240	29
	480	(1016)		FT8440	ST8440	TT8440	(13.2)
9000	240	47	2	FT9247	ST9247	TT9247	32
	480	(1194)		FT9447	ST9447	TT9447	(14.5)
12000	240	61	2	FT12261	ST12261	TT12261	37
	480	(1549)		FT12461	ST12461	TT12461	(16.8)

Other sizes available, consult factory.



## T Series Heater Features and Benefits

### SUPERIOR CHEMICAL RESISTANCE:

- ◆ For use in most aqueous alkaline solutions, and plating and phosphate tanks. Check solution recommendation chart with your chemical supplier for proper sheath material selection.

### RUGGED CONSTRUCTION:

- ◆ Heavy wall metal sheaths and screwplug available in:
  - 304 stainless steel
  - 316 stainless steel
  - Titanium

### OUTSTANDING PERFORMANCE:

- ◆ Watt densities up to 35 watts per square inch (5.4 w/cm<sup>2</sup>) ensure long service life.

### CORROSION RESISTANT HEAD:

- ◆ Vapor resistant, flame retardant polypropylene terminal enclosure with 3 ft (.9m) flexible PVC liquid tight conduit.

### SAFETY FEATURES:

- ◆ Grounded construction.

**CERTIFICATIONS:** cULus listed (except steel) and CE compliant.

**SIZES:** 1,000 watts to 12,000 watts.

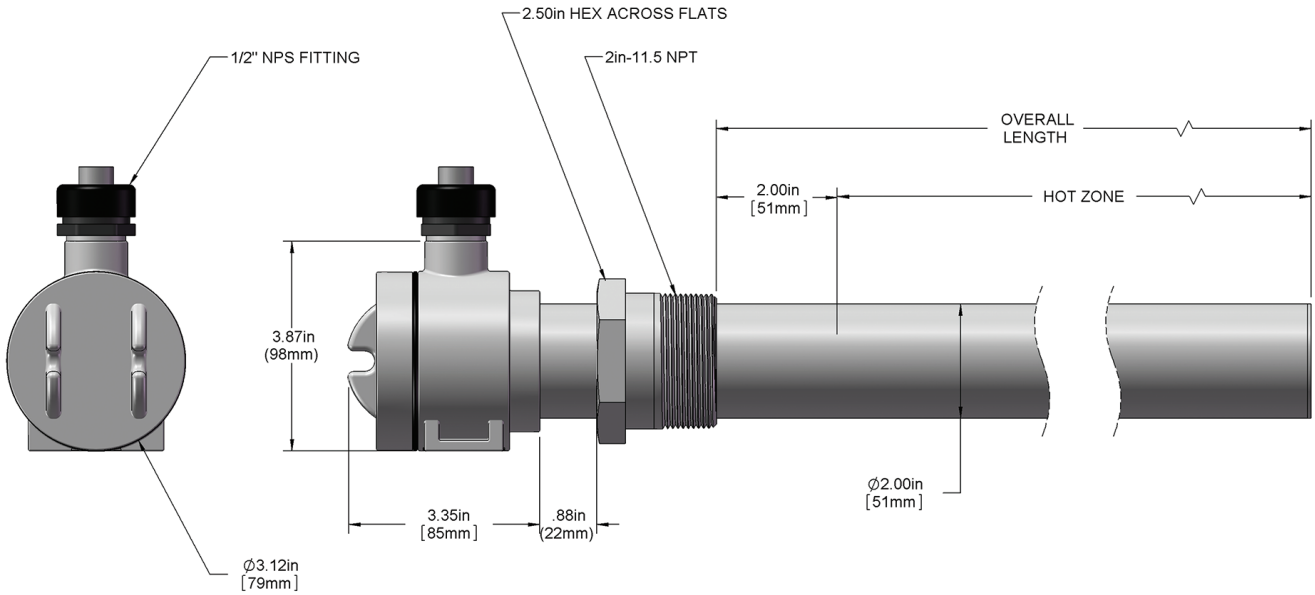
### VOLTAGES:

- ◆ 120 to 600 volts.

### OPTIONS AVAILABLE (consult factory):

- ◆ Special configurations and lengths.
- ◆ Explosion resistant enclosures.
- ◆ Longer wire and conduit lengths.
- ◆ Lower watt densities for highly viscous solutions.
- ◆ Temperature and level controls sized to match the heater.

## DIMENSIONS



## 2" TUBULAR SCREW PLUG HEATER ORDERING INFORMATION

Series	Wattage	Voltage	Length (in.)	Options	Wire and Conduit Length
	1 = 1000 2 = 2000 3 = 3000 4 = 4000 6 = 6000 8 = 8000 9 = 9000 12 = 12000	1 = 120 2 = 240 3 = 380 4 = 480 5 = 415 6 = 600 7 = 400 8 = 208 9 = 220 0 = 200	10 = 1kW 14 = 2kW 19 = 3kW 23 = 4kW 33 = 6kW 40 = 8kW 47 = 9kW 61 = 12kW specify (custom lengths available)	no designator = single phase power (standard) -3 = three phase power  no designator = 36" length standard specify variations from standard Ex: -X84 = 84"	
	FT = 304 stainless steel ST = 316 stainless steel TT = titanium				

