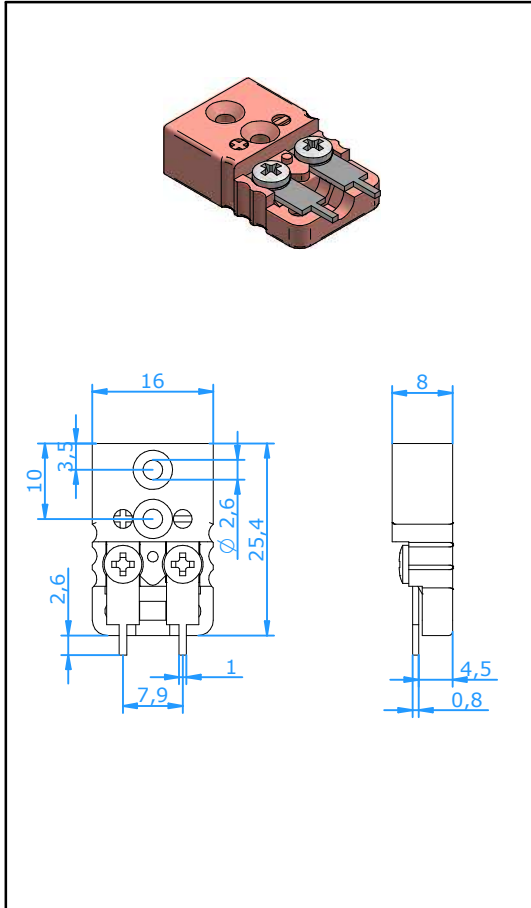




Connectors

Connector Miniature Jack PCB Rear Mounting



Application

Miniature Jack/Socket for thermocouple and RTD circuits. Designed for direct soldering onto printed circuit boards. This version is suitable for rear mounting, other versions available, please see separate specification sheet.

Construction

- Glass filled thermoplastic body with original thermocouple material pins and springloaded inserts.
- Copper pins with silverplating
- Rugged one body design.

Temperature rating

- 220 °C Max.

Color Code

- Available in all color code standards incl. NFE, BS, JIS, etc.

Ordering Code

CMJ-xxPR

For last two digits 'xx' see table below

Calibration Code	E	J	K	N	T	U	R/S	C	B
Compensation material for							Pt13Rh/	W5Re/	Pt6Rh/
Material Positive							Pt	W26Re	Pt30Rh
Material Negative	NiCr	Fe	NiCr	NiCrSi	Cu	Cu	Cu	CPX	Cu
	CuNi	CuNi	NiAl	NiSi	CuNi	Cu	Alloy #11	CNX	Cu
IEC Color Code									
Color Body	Violet	Black	Green	Pink	Brown	White	Orange	Red	Grey
Code	EI	JI	KI	NI	TI	UI	RI	C	BI
ANSI Color Code									
Color Body	Violet	Black	Yellow	Orange	Blue	White	Green	Red	Grey
Code	EI	JI	KA	NA	TA	UI	RA	C	BI
DIN Color Code									
Color Body		Blue	Green		Brown		White		Grey
Code		JD	KI		TI		RD		BI