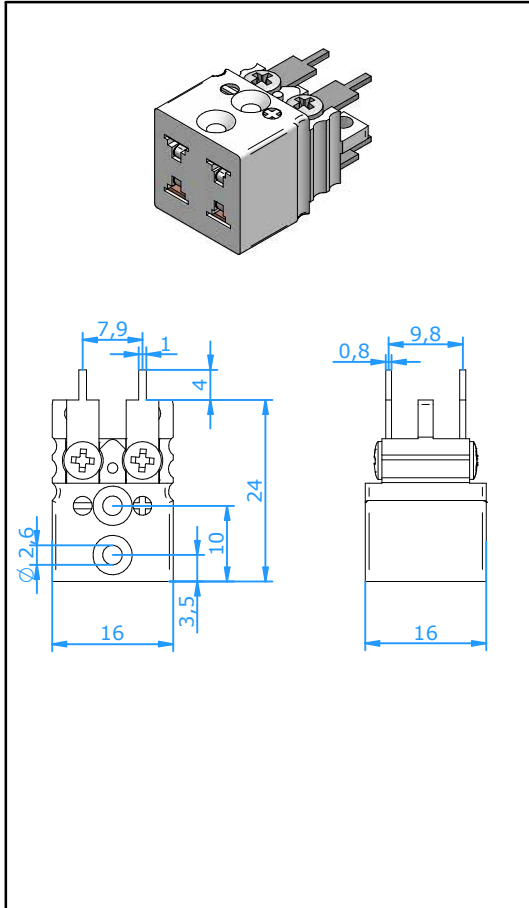




Connectors

Connector Miniature Duplex Jack PCB Rear Mounting



Application

Miniature Duplex Jack for thermocouple and RTD circuits. Designed for direct soldering onto printed circuit boards. This version is suitable for rear mounting, other versions available, please see separate specification sheet.

Construction

- Glass filled thermoplastic body with original thermocouple material pins and springloaded inserts.
- Copper pins with silverplating
- Rugged one body design.

Temperature rating

- 220 °C Max.

Color Code

- Available in all color code standards incl. NFE, BS, JIS, etc.

Ordering Code

CMJD-xxPR

For last two digits 'xx' see table below

Calibration Code	E	J	K	N	T	U	R/S	C	B
Compensation material for Material Positive	NiCr	Fe	NiCr	NiCrSi	Cu	Cu	Pt13Rh/ Pt	W5Re/ W26Re	Pt6Rh/ Pt30Rh
Material Negative	CuNi	CuNi	NiAl	NiSi	CuNi	Cu	Cu Alloy #11	CPX CNX	Cu Cu
IEC Color Code									
Color Body	Violet	Black	Green	Pink	Brown	White	Orange	Red	Grey
Code	EI	JI	KI	NI	TI	UI	RI	C	BI
ANSI Color Code									
Color Body	Violet	Black	Yellow	Orange	Blue	White	Green	Red	Grey
Code	EI	JI	KA	NA	TA	UI	RA	C	BI
DIN Color Code									
Color Body		Blue	Green		Brown		White		Grey
Code		JD	KI		TI		RD		BI