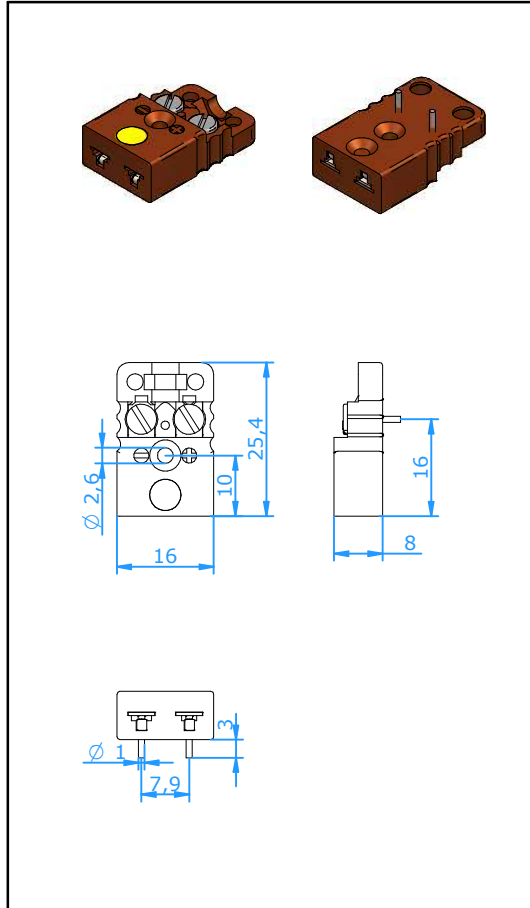




# Connectors

## Connector Miniature Jack PCB Flat Mounting High Temp



### Application

Miniature Jack/Socket for thermocouple and RTD circuits. Designed for direct soldering onto printed circuit boards. Thermoset material designed for use at high temperatures

This version is suitable for flat mounting, other versions available, please see separate specification sheet.

### Construction

- Body of thermoset material with original thermocouple material pins and springloaded inserts.
- Brass screws with silver plating
- Rugged one body design.

### Temperature rating

- 350 °C Max.

### Color Code

- Body color brown
- Color dot to indicate calibration

### Ordering Code

**CMJH-xxPF**

For digits 'xx' see table below

Calibration Code	<b>E</b>	<b>J</b>	<b>K</b>	<b>N</b>	<b>T</b>	<b>U</b>	<b>R/S</b>	<b>C</b>	<b>B</b>
Compensation material for							Pt13Rh/ Pt	W5Re/ W26Re	Pt6Rh/ Pt30Rh
Material Positive	NiCr	Fe	NiCr	NiCrSi	Cu	Cu <sup>1)</sup>	Cu	CPX	Cu <sup>1)</sup>
Material Negative	CuNi	CuNi	NiAl	NiSi	CuNi	Cu <sup>1)</sup>	Alloy #11	CNX	Cu <sup>1)</sup>
<b>IEC Color Code</b>									
Color Dot	Violet	Black	Green	Pink	Brown	White	Orange	Red	Grey
Code	<b>EI</b>	<b>JI</b>	<b>KI</b>	<b>NI</b>	<b>TI</b>	<b>UI</b>	<b>RI</b>	<b>C</b>	<b>BI</b>
<b>ANSI Color Code</b>									
Color Dot	Violet	Black	Yellow	Orange	Blue	White	Green	Red	Grey
Code	<b>EI</b>	<b>JI</b>	<b>KA</b>	<b>NA</b>	<b>TA</b>	<b>UI</b>	<b>RA</b>	<b>C</b>	<b>BI</b>
<b>DIN Color Code</b>									
Color Dot		Blue	Green		Brown		White		Grey
Code		<b>JD</b>	<b>KI</b>		<b>TI</b>		<b>RD</b>		<b>BI</b>