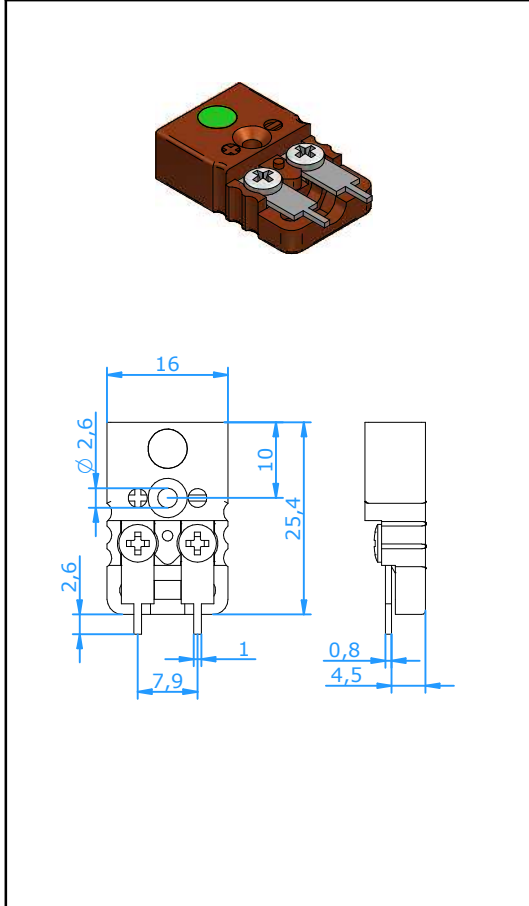




Connectors

Connector Miniature Jack PCB Rear Mounting High Temp



Application

Miniature Jack/Socket for thermocouple and RTD circuits. Designed for direct soldering onto printed circuit boards. Thermoset material designed for use at high temperatures
 This version is suitable for rear mounting, other versions available, please see separate specification sheet.

Construction

- Body of thermoset material with original thermocouple material pins and springloaded inserts.
- Copper pins with silverplating
- Rugged one body design.

Temperature rating

- 350 °C Max.

Color Code

- Body color brown
- Color dot to indicate calibration

Ordering Code

CMJH-xxPR

For digits 'xx' see table below

| | | | | | | | | | |
|---|-----------|-----------|-----------|-----------|-----------|------------------|-----------------|----------------|--------------------------------------|
| Calibration Code | E | J | K | N | T | U | R/S | C | B |
| Compensation material for Material Positive | NiCr | Fe | NiCr | NiCrSi | Cu | Cu ¹⁾ | Pt13Rh/ Pt | W5Re/ W26Re | Pt6Rh/ Pt30Rh |
| Material Negative | CuNi | CuNi | NiAl | NiSi | CuNi | Cu ¹⁾ | Cu Alloy #11 | CPX CNX | Cu ¹⁾ Cu ¹⁾ |
| IEC Color Code | | | | | | | | | |
| Color Dot | Violet | Black | Green | Pink | Brown | White | Orange | Red | Grey |
| Code | EI | JI | KI | NI | TI | UI | RI | C | BI |
| ANSI Color Code | | | | | | | | | |
| Color Dot | Violet | Black | Yellow | Orange | Blue | White | Green | Red | Grey |
| Code | EI | JI | KA | NA | TA | UI | RA | C | BI |
| DIN Color Code | | | | | | | | | |
| Color Dot | | Blue | Green | | Brown | | White | | Grey |
| Code | | JD | KI | | TI | | RD | | BI |