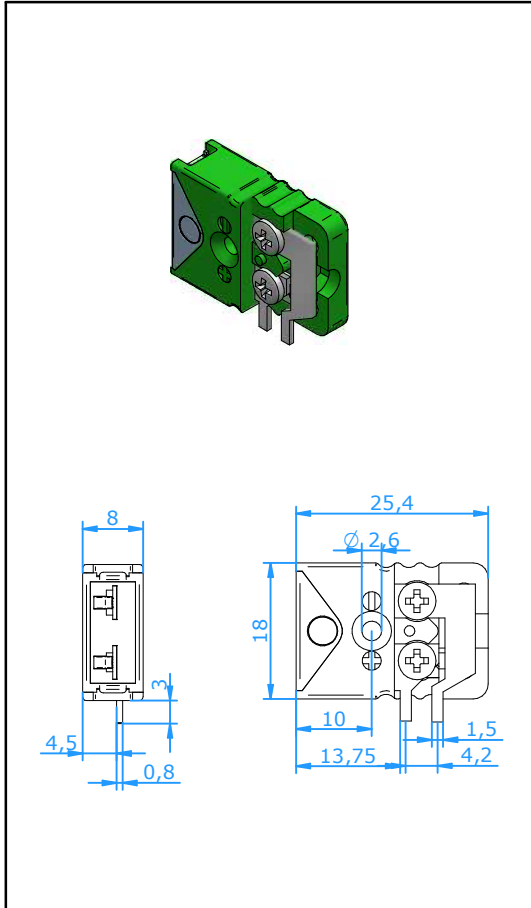




Connectors

Connector Miniature Locking Jack PCB Side Mounting



Application

Miniature Locking Jack/Socket for thermocouple and RTD circuits. Locking feature prevents unwanted disconnection due to vibration etc. Designed for direct soldering onto printed circuit boards. This version is suitable for side mounting, other versions available, please see separate specification sheet.

Construction

- Glass filled thermoplastic body with original thermocouple material pins and springloaded inserts.
- Copper pins with silver plating
- Rugged one body design.
- Stainless steel locking clip
- Locking Connector Jack Miniature also accepts Miniature Connector Plugs without locking feature

Temperature rating

- 220 °C Max.

Color Code

- Available in all color code standards incl. NFE, BS, JIS, etc.

Ordering Code

CMLJ-xxPS

For last two digits 'xx' see table below

Calibration Code	E	J	K	N	T	U	R/S	C	B
Compensation material for							Pt13Rh/ Pt	W5Re/ W26Re	Pt6Rh/ Pt30Rh
Material Positive	NiCr	Fe	NiCr	NiCrSi	Cu	Cu	Cu	CPX	Cu
Material Negative	CuNi	CuNi	NiAl	NiSi	CuNi	Cu	Alloy #11	CNX	Cu
IEC Color Code									
Color Body	Violet	Black	Green	Pink	Brown	White	Orange	Red	Grey
Code	EI	JI	KI	NI	TI	UI	RI	C	BI
ANSI Color Code									
Color Body	Violet	Black	Yellow	Orange	Blue	White	Green	Red	Grey
Code	EI	JI	KA	NA	TA	UI	RA	C	BI
DIN Color Code									
Color Body		Blue	Green		Brown		White		Grey
Code		JD	KI		TI		RD		BI