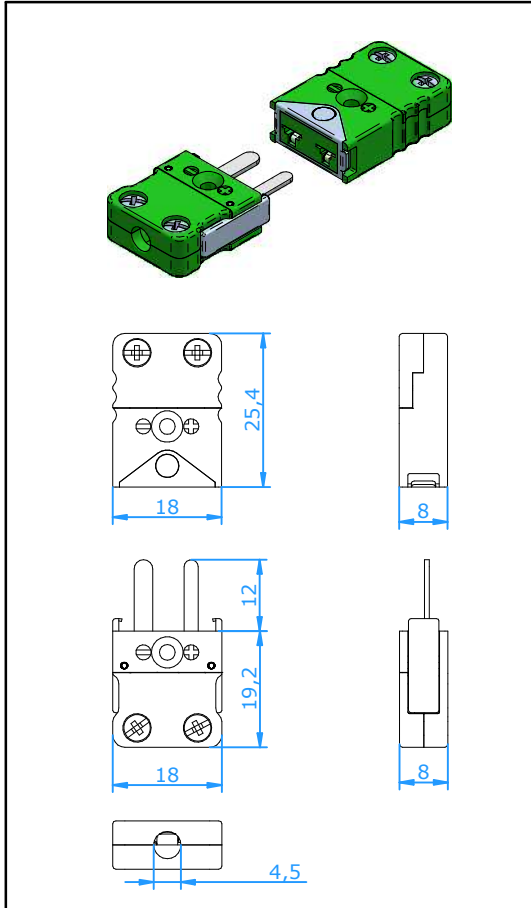




# Connectors

## Connector Miniature Locking



### Application

Self locking connector pair for thermocouple and RTD circuits. Locking feature prevents unwanted disconnection due to vibration etc. Suited for small wires and mineral insulated cables.

### Construction

- Glass filled high quality thermoplastic body with original thermocouple material pins and springloaded inserts.
- Polarized pins ensure proper connection.
- Easy wire connection through sandwich construction.
- Molded barriers prevent short circuit.
- Rugged one body design.
- Stainless Steel screws with Phillips head
- Stainless steel locking clip
- Locking Connector Miniature also fits on our partnumbers CMP and CMJ

### Wire size

- Accepts wires up to 0,6 mm.
- Maximum cable diameter 4,5 mm.

### Temperature rating

- 220 °C Max.

### Color Code

- Available in all color code standards incl. NFE, BS, JIS, etc.

### Accessories:

- See separate specification sheet.

**Ordering Code Plug:** CMLP-xx  
**Jack:** CMLJ-xx

For last two digits 'xx' see table below

|   |              |            |              |                |            |           |                 |                |                  |
|---|--------------|------------|--------------|----------------|------------|-----------|-----------------|----------------|------------------|
| Calibration Code                            | <b>E</b>     | <b>J</b>   | <b>K</b>     | <b>N</b>       | <b>T</b>   | <b>U</b>  | <b>R/S</b>      | <b>C</b>       | <b>B</b>         |
| Compensation material for Material Positive |              |            |              |                |            |           | Pt13Rh/<br>Pt   | W5Re/<br>W26Re | Pt6Rh/<br>Pt30Rh |
| Material Negative                           | NiCr<br>CuNi | Fe<br>CuNi | NiCr<br>NiAl | NiCrSi<br>NiSi | Cu<br>CuNi | Cu<br>Cu  | Cu<br>Alloy #11 | CPX<br>CNX     | Cu<br>Cu         |
| <b>IEC Color Code</b>                       |              |            |              |                |            |           |                 |                |                  |
| Color Body                                  | Violet       | Black      | Green        | Pink           | Brown      | White     | Orange          | Red            | Grey             |
| Code  | <b>EI</b>    | <b>JI</b>  | <b>KI</b>    | <b>NI</b>      | <b>TI</b>  | <b>UI</b> | <b>RI</b>       | <b>C</b>       | <b>BI</b>        |
| <b>ANSI Color Code</b>                      |              |            |              |                |            |           |                 |                |                  |
| Color Body                                  | Violet       | Black      | Yellow       | Orange         | Blue       | White     | Green           | Red            | Grey             |
| Code  | <b>EI</b>    | <b>JI</b>  | <b>KA</b>    | <b>NA</b>      | <b>TA</b>  | <b>UI</b> | <b>RA</b>       | <b>C</b>       | <b>BI</b>        |
| <b>DIN Color Code</b>                       |              |            |              |                |            |           |                 |                |                  |
| Color Body                                  |              | Blue       | Green        |                | Brown      |           | White           |                | Grey             |
| Code  |              | <b>JD</b>  | <b>KI</b>    |                | <b>TI</b>  |           | <b>RD</b>       |                | <b>BI</b>        |