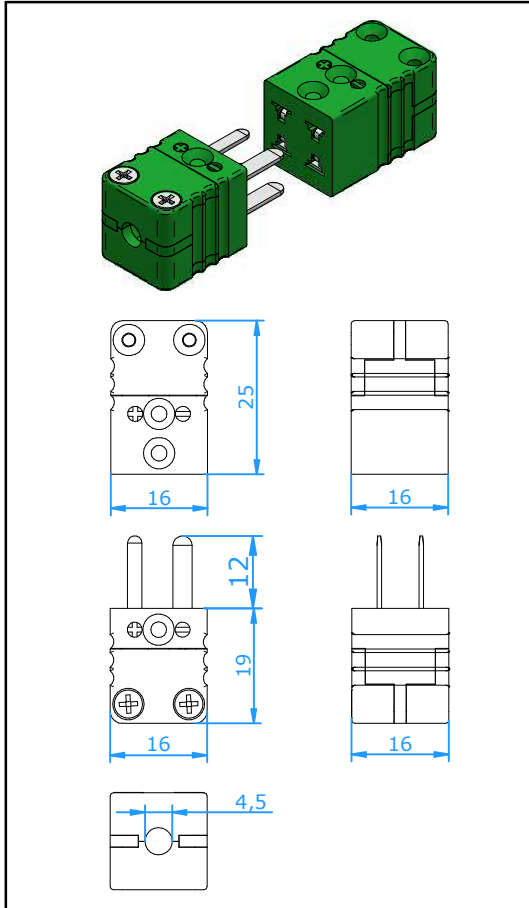




Connectors

Connector Miniature Duplex



Application

Connector for thermocouple and RTD circuits. Suited for small wires and mineral insulated cable. Can be used for 4-wire RTD's.

Construction

- Glass filled thermoplastic body with original thermocouple material pins and springloaded inserts.
- Polarized pins ensure proper connection.
- Easy wire connection through sandwich construction.
- Molded barriers prevent short circuit.
- Rugged one body design.

Wire size

- Accepts wires up to 0,6 mm.
- Maximum cable diameter 4,5 mm.

Temperature rating

- 220 °C Max.

Color Code

- Available in all color code standards. Incl. NFE, BS, JIS, etc.

Accessories

- Crimpinserts and wire clamp bracket, see separate specification sheet.

Ordering Code Plug: **CMPD-xx**
Jack: **CMJD-xx**

For last two digits 'xx' see tabel below)

Calibration Code	E	J	K	N	T	U	R/S	C	B
Compensation material for Material Positive							Pt13Rh/ Pt	W5Re/ W26Re	Pt6Rh/ Pt30Rh
Material Negative	NiCr CuNi	Fe CuNi	NiCr NiAl	NiCrSi NiSi	Cu CuNi	Cu Cu	Cu Alloy #11	CPX CNX	Cu Cu
IEC Color Code									
Color Body	Violet	Black	Green	Pink	Brown	White	Orange	Red	Grey
Code	EI	JI	KI	NI	TI	UI	RI	C	BI
ANSI Color Code									
Color Body	Violet	Black	Yellow	Orange	Blue	White	Green	Red	Grey
Code	EI	JI	KA	NA	TA	UI	RA	C	BI
DIN Color Code									
Color Body		Blue	Green		Brown		White		Grey
Code		JD	KI		TI		RD		BI

Note: Contacts with a hard nickel- or gold-plating are available, please add "NP" or "GP" after the calibration code