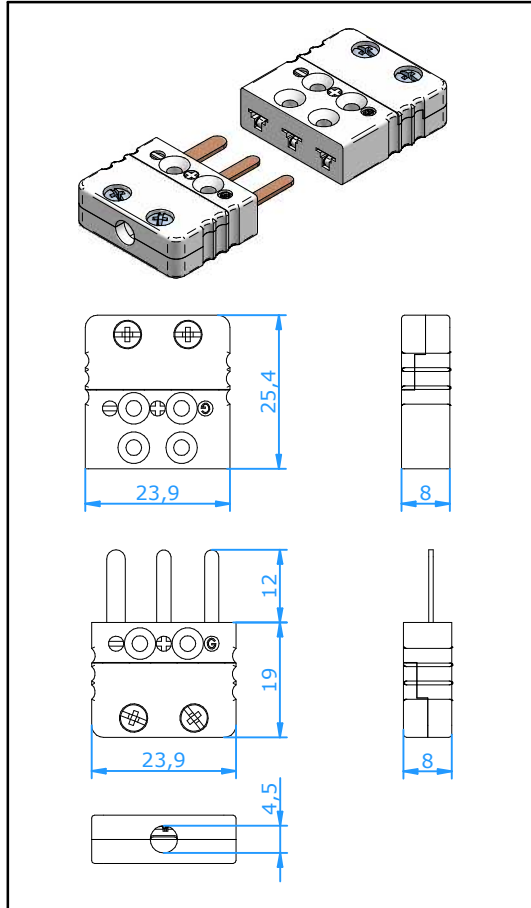




Connectors

Connector Miniature Three Pin



Application

Connector for thermocouple and RTD circuits. Suited for small wires and mineral insulated cable.

Third connection for ground or continuous shield connection or for three wire RTD's.

Construction

- Glass filled thermoplastic body with original thermocouple material pins and springloaded inserts.
- Polarized pins ensure proper connection.
- Easy wire connection through sandwich construction.
- Molded barriers prevent short circuit.
- Rugged one body design.

Wire size

- Accepts wires up to 0,6 mm.
- Maximum cable diameter 4,5 mm.

Temperature rating

- 220 °C Max.

Color code

- Available in all color code standards. Incl NFE, BS, JIS, etc.

Accessories

- Most accessories for the miniature connectors can be fitted. See separate specification sheet.

Ordering Code Plug: CMPT-xx
Jack: CMJT-xx

For last two digits 'xx' see table below

Calibration Code	E	J	K	N	T	U	R/S	C	B
Compensation material for Material Positive	NiCr	Fe	NiCr	NiCrSi	Cu	Cu	Pt13Rh/ Pt	W5Re/ W26Re	Pt6Rh/ Pt30Rh
Material Negative	CuNi	CuNi	NiAl	NiSi	CuNi	Cu	Cu Alloy #11	CPX CNX	Cu Cu
IEC Color Code									
Color Body	Violet	Black	Green	Pink	Brown	White	Orange	Red	Grey
Code	EI	JI	KI	NI	TI	UI	RI	C	BI
ANSI Color Code									
Color Body	Violet	Black	Yellow	Orange	Blue	White	Green	Red	Grey
Code	EI	JI	KA	NA	TA	UI	RA	C	BI
DIN Color Code									
Color Body		Blue	Green		Brown		White		Grey
Code		JD	KI		TI		RD		BI