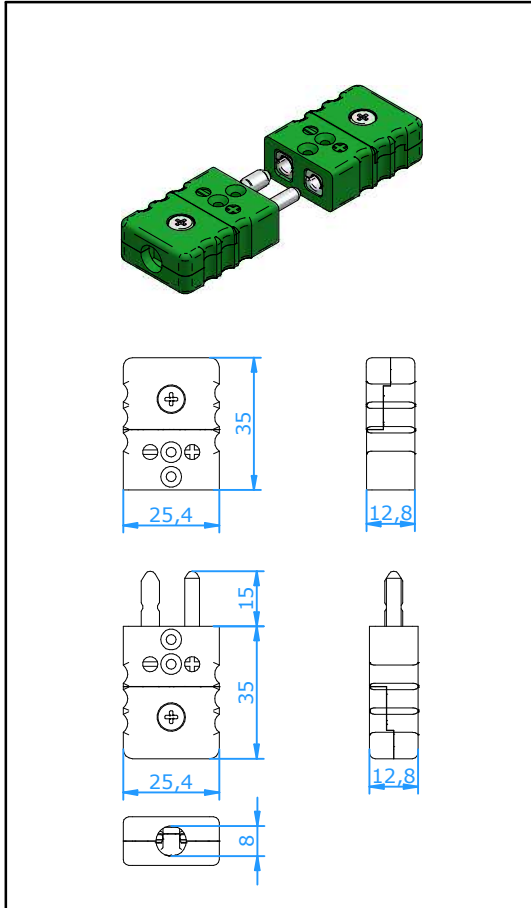




Connectors

Connector Standard



Application

Connector for thermocouple and RTD circuits. Solid pin design ensures good contact even in demanding applications. Hollow pin design offers a good quality product at competitive pricing for less frequently used connectors.

Construction

- Glass filled high quality thermoplastic body with original thermocouple material pins and springloaded inserts.
- Polarized pins.
- Central cover screw design for quick wiring.
- Molded barriers prevent short circuit.
- Captive cover screw for easy assembly.
- Easy wire connection through sandwich construction
- Stainless Steel screws with Phillips head

Wire size

- Accepts wires up to 1,6 mm.
- Maximum cable diameter 8,0 mm.

Temperature rating

- 220 °C Max.

Color Code

- Available in all color code standards. Incl. NFE, BS, JIS, etc.

Accessories

- Large variety of accessories for the standard connector are available. See separate specification sheets.

Ordering Code Plug Solid Pin : **CSP-xx**
 Plug Hollow Pin: **CSPL-xx**
 Jack : **CSJ-xx**

For last two digits 'xx' see table below

Calibration Code	E	J	K	N	T	U	R/S	C	B
Compensation material for							Pt13Rh/ Pt	W5Re/ W26Re	Pt6Rh/ Pt30Rh
Material Positive	NiCr	Fe	NiCr	NiCrSi	Cu	Cu	Cu	CPX	Cu
Material Negative	CuNi	CuNi	NiAl	NiSi	CuNi	Cu	Alloy #11	CNX	Cu
IEC Color Code									
Color Body	Violet	Black	Green	Pink	Brown	White	Orange	Red	Grey
Code	EI	JI	KI	NI	TI	UI	RI	C	BI
ANSI Color Code									
Color Body	Violet	Black	Yellow	Orange	Blue	White	Green	Red	Grey
Code	EI	JI	KA	NA	TA	UI	RA	C	BI
DIN Color Code									
Color Body		Blue	Green		Brown		White		Grey
Code		JD	KI		TI		RD		BI

Note: - Contacts with a hard nickel- or gold-plating are available, please add "NP" or "GP" after the calibration code
 - Type C connector plug is only available in a solid pin version