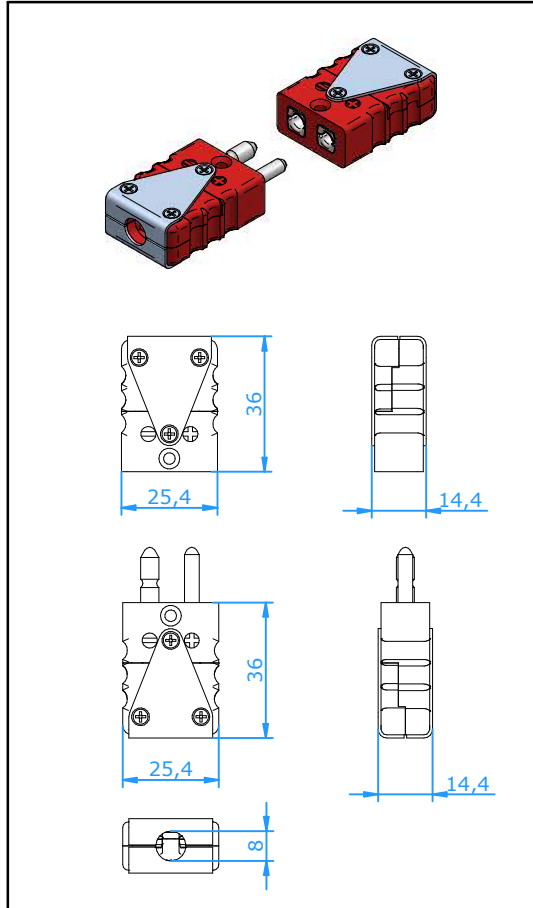




# Connectors

## Connector Standard Ultra High Temp



### Application

Connector for thermocouple and RTD circuits. Plastic compound designed for use at elevated temperatures. Solid pin design ensures good contact even in demanding applications. Hollow pin design offers a good quality product at competitive pricing for less frequently used connectors.

### Construction

- body of ultra high temp thermoset compound with original thermocouple material pins and springloaded inserts.
- Polarized pins ensure proper connection.
- Easy wire connection through sandwich construction.
- Molded barriers prevent short circuit.
- Rugged one body design.
- Stainless steel bracket and screws for usage in robust environment

### Wire size

- Accepts wires up to 1,6 mm.
- Maximum cable diameter 8,0 mm.

### Temperature rating

- 425 °C continuous, 540 °C intermittent

### Color Code

- Color of the connector-body is red/brown, calibration indication stamped on the stainless steel top-bracket

### Accessories:

- Stainless steel braze/crimp adaptors, tube adaptors, wire clamp bracket and U-Brackets are available, please see separate specification sheets or consult factory

**Ordering Code** **Plug Solid Pin** : **CSPU-x**      x = Calibration Code (See table below)  
**Plug Hollow Pin** : **CSPUL-x**  
**Jack** : **CSJU-x**

Calibration Code	<b>E</b>	<b>J</b>	<b>K</b>	<b>N</b>	<b>T</b>	<b>U</b>	<b>R/S</b>	<b>C</b>	<b>B</b>
Compensation material for							Pt13Rh/ Pt	W5Re/ W26Re	Pt6Rh/ Pt30Rh
Material Positive	NiCr	Fe	NiCr	NiCrSi	Cu	Cu <sup>1)</sup>	Cu	CPX <sup>2)</sup>	Cu <sup>1)</sup>
Material Negative	CuNi	CuNi	NiAl	NiSi	CuNi	Cu <sup>1)</sup>	Alloy #11	CNX <sup>2)</sup>	Cu <sup>1)</sup>

Note: - Contacts with a hard nickel- or gold-plating are available, please add "NP" or "GP" after the calibration code  
 - Type C connector plug is only available in a Solid pin version