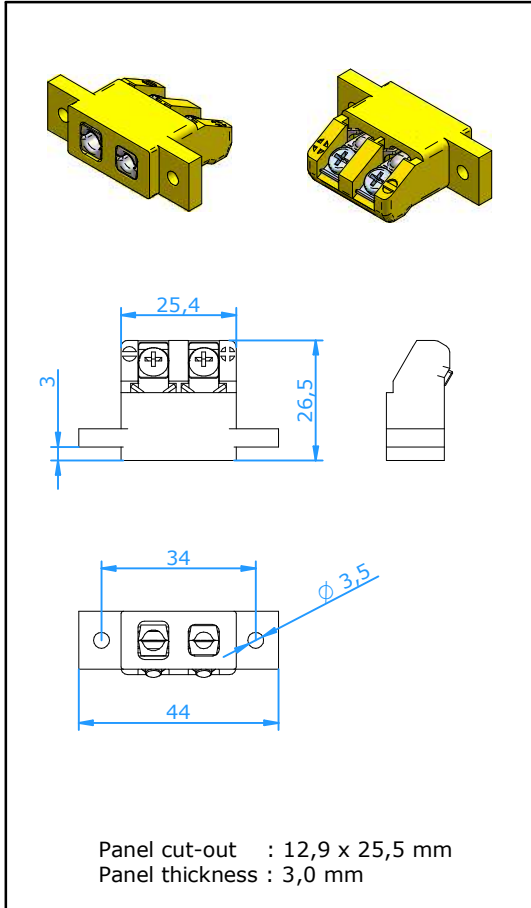




Panels

Panel Standard Insert Lugged



Application

Panel insert for thermocouple and RTD circuits.
Can be mounted in a single circuit version or in rows in customer panels. Mounting by means of two M3 screws.

Construction

- Glass filled thermoplastic body with original thermocouple material pins and springloaded inserts.
- Polarized pins.
- Molded barriers prevent short circuit.
- Polarity indication next to connection screws.

Wire size

- Accepts wires up to 1,6 mm.

Temperature rating

- 220 °C Max.

Color Code

- Available in all color code standards. Incl. NFE, BS, JIS, etc.

Ordering Code : PSIL-xx

For last two digits 'xx' see table below

Calibration Code	E	J	K	N	T	U	R/S	C	B
Compensation material for Material Positive							Pt13Rh/ Pt	W5Re/ W26Re	Pt6Rh/ Pt30Rh
Material Negative	NiCr CuNi	Fe CuNi	NiCr NiAl	NiCrSi NiSi	Cu CuNi	Cu Cu	Cu Alloy #11	CPX CNX	Cu Cu
IEC Color Code									
Color Body	Violet	Black	Green	Pink	Brown	White	Orange	Red	Grey
Code	EI	JI	KI	NI	TI	UI	RI	C	BI
ANSI Color Code									
Color Body	Violet	Black	Yellow	Orange	Blue	White	Green	Red	Grey
Code	EI	JI	KA	NA	TA	UI	RA	C	BI
DIN Color Code									
Color Body		Blue	Green		Brown		White		Grey
Code		JD	KI		TI		RD		BI