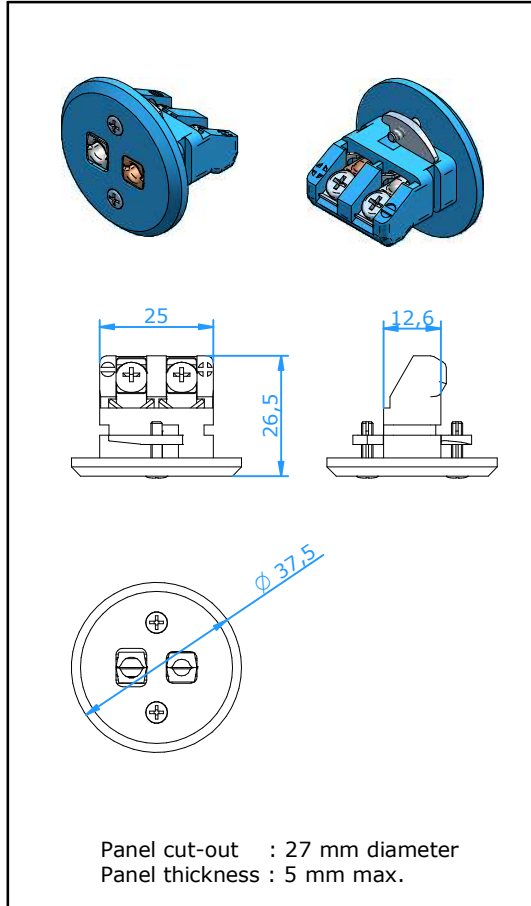




Panels

Panel Standard Insert Round Direct Mounting



Application

Panel insert for thermocouple and RTD circuits. Mounting by means of two screws at the front¹⁾.

Construction

- Glass filled thermoplastic body with original thermocouple material pins and springloaded inserts.
- Polarized pins ensure proper connection.
- Easy wire connection through sandwich construction.
- Molded barriers prevent short circuit.
- Rugged one body design.
- Polarity indication on body
- Stainless steel screws and brackets for front mounting¹⁾

Wire size

- Accepts wires up to 1,6 mm.

Temperature Rating

- 220 °C Max.

Color Code

- Available in all color code standards, incl. NFE, BS, JIS, etc.

Accessories

- Panel Punch for 27 mm, partnr. 20.367

Note

¹⁾ For other mounting options please see separate specification sheet for PSIRB-xx.

Ordering Code : PSIR-xx

For last two digits 'xx' see table below

Calibration Code	E	J	K	N	T	U	R/S	C	B
Compensation material for Material Positive	NiCr	Fe	NiCr	NiCrSi	Cu	Cu	Pt13Rh/ Pt	W5Re/ W26Re	Pt6Rh/ Pt30Rh
Material Negative	CuNi	CuNi	NiAl	NiSi	CuNi	Cu	Alloy #11	CPX CNX	Cu Cu
IEC Color Code									
Color Body	Violet	Black	Green	Pink	Brown	White	Orange	Red	Grey
Code	EI	JI	KI	NI	TI	UI	RI	C	BI
ANSI Color Code									
Color Body	Violet	Black	Yellow	Orange	Blue	White	Green	Red	Grey
Code	EI	JI	KA	NA	TA	UI	RA	C	BI
DIN Color Code									
Color Body		Blue	Green		Brown		White		Grey
Code		JD	KI		TI		RD		BI