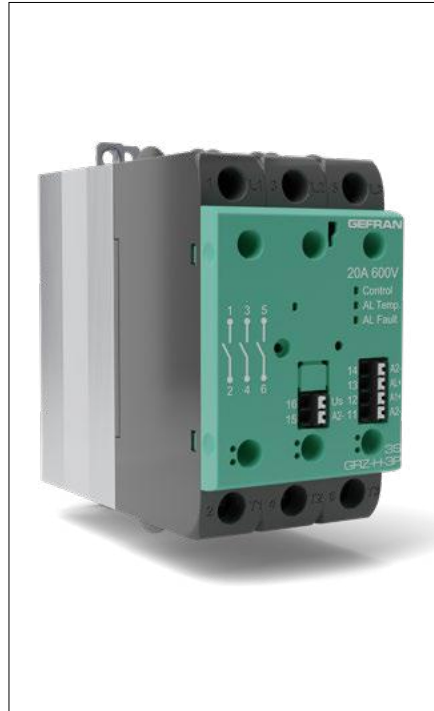


#### MAIN APPLICATIONS

- Extrusion, injection, blow moulding, thermoforming of plastics
- Vulcanization of rubber
- Synthetic fibre production and polymerisation
- Packing and packaging
- Dryers for ceramics and building elements
- Industrial electric ovens
- Food processing plants
- Chemical and pharmaceutical industry



#### MAIN FEATURES

- Wide current range from 10A to 75A per phase
- Ultra-compact size
- Optimized dissipation with 2 controlled phases
- Thermal protection always present
- Input command from logic signal Vdc/ Vac
- Leds signaling
- Cage terminals for power cables
- Load voltage 480V, 600Vac
- Thermal alarm and load fault option with LED and alarm output
- Internal overvoltage protections
- DIN rail and panel fixing
- Switching at Zero Crossing of Voltage
- Compact versions with increased I<sup>2</sup>t
- Push-in connectors for command signals
- Integrated power supply option for smart cooling fan

#### PROFILE

Correct management of electrical heating elements for industrial heating applications

requires robust, safe, interference-free, fast and diagnostically capable static contactors.

The range of static contactors with GRZ-H heatsink meets all these requirements, with current ratings from 10 to 75 Amperes for single phase and voltages up to 600 V AC, with extremely compact size in every single current level.

The thermal design of all models guarantees the continuous supply of the rated current at an ambient temperature of 40°C through high efficiency heat sinks, assisted by cooling fans for the higher sizes. The derating curves show how higher current values can also be achieved, at lower temperatures, and illustrates the possibility of mounting various devices in contact with each other on the DIN rail.

#### GRZ COMMAND SIGNAL CONNECTION

The GRZ-H series can be controlled by DC and AC logical signals managed through push-in connectors for a faster and easier connection, even without tools.

The ON / OFF status of the static device is always displayed by a green LED on the front panel, for an immediate view of its operation.

#### POWER CONNECTIONS

Both the line voltage terminals available on the upper part of the device and the load terminals on the lower part are of the "cage" type, which offer the best and safest seal even for cables of different cross-sections, whether mounted with a cable lug or simply stripped.

#### DIAGNOSTICS AND ALARMS

It is increasingly vital for operators and maintainers to recognize possible anomalies in the system immediately and solve them quickly in order to ensure the efficiency and profitability of machinery and plants. The GRZ-H series offers a series of diagnostic information associated with a physical alarm output with voltage-free or PNP-type isolated contact.

The thermal alarm is triggered if heat dissipation exceeds a critical threshold, signalling it with a yellow led on the front panel, interrupting the power supply and triggering the alarm output. Alarm functions are available for all sizes as an option.

The absence of current on the load or

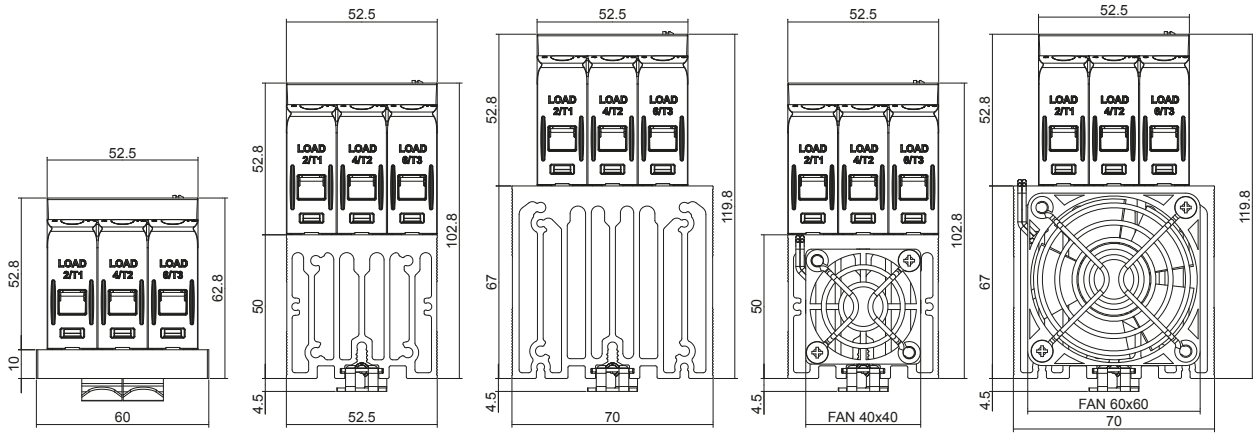
line voltage is signaled by a red LED on the front and by the activation of the alarm output.

The absence of current is verified for each single phase, it is therefore possible to detect even a partial failure of one of the three load parts (check the models and conditions of use).

Alarm output status is memorized: in the presence of a 24 V DC auxiliary power supply, the alarm will be memorized even in the event of an OFF command.

The alarm is reset when normal operating conditions are restored, or when the 24 V DC auxiliary power supply is switched off and on again.

# DIMENSIONS AND MOUNTING MEASUREMENTS



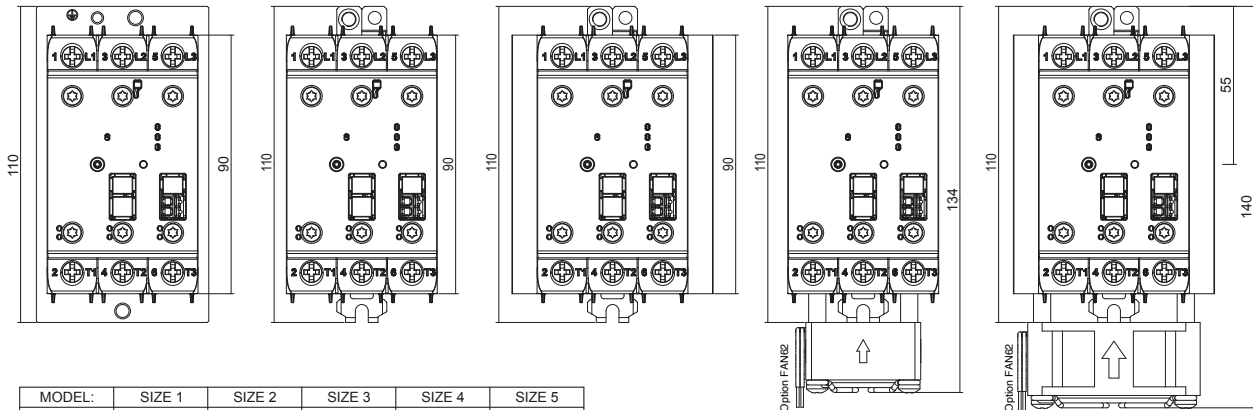
SIZE 1  
2S 15  
3S 10

SIZE 2  
2S 25 251  
3S 20 201

SIZE 3  
2S 30A 301 401  
3S 25 251 301

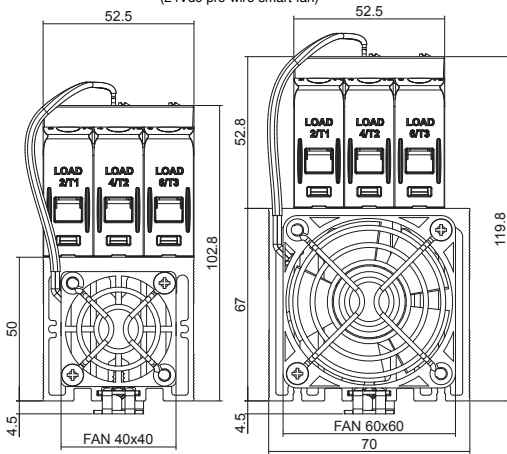
SIZE 4  
2S 40 50  
3S 40 401

SIZE 5  
2S 75  
3S 65

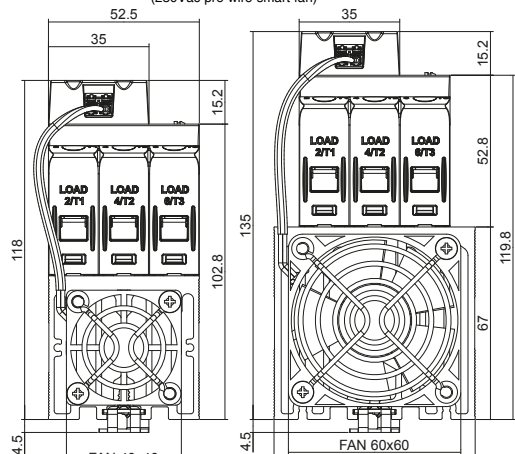


MODEL:	SIZE 1	SIZE 2	SIZE 3	SIZE 4	SIZE 5
WEIGHT:	0,39 KG	0,5 KG	0,7 KG	0,54 KG	0,76 KG

Option FAN63  
(24Vdc pre-wire smart fan)



Option FAN64  
(230Vac pre-wire smart fan)

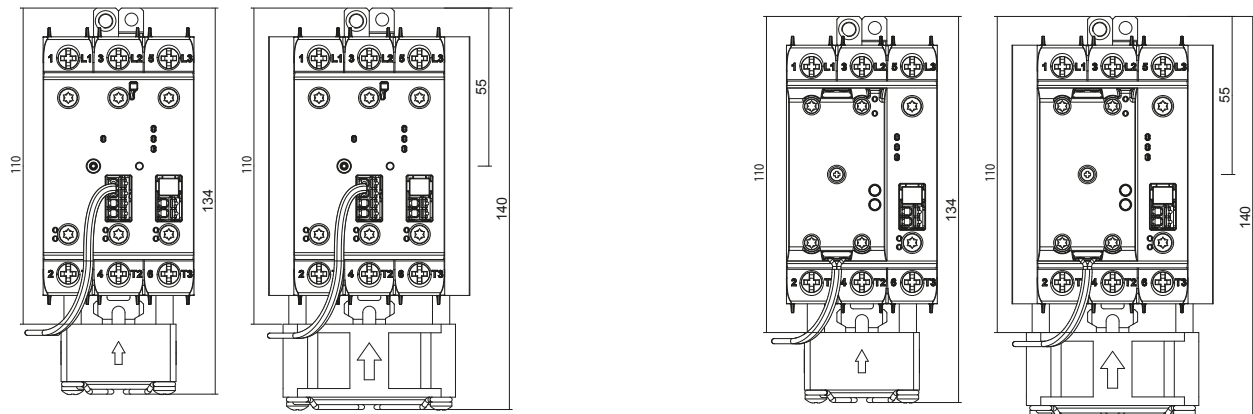


SIZE 4  
2S 40 50  
3S 40 401

SIZE 5  
2S 75  
3S 65

SIZE 4  
2S 40 50  
3S 40 401

SIZE 5  
2S 75  
3S 65



Notes:  
The dimensions are representative of all models of the series (command "D" type, "A" type and with options)

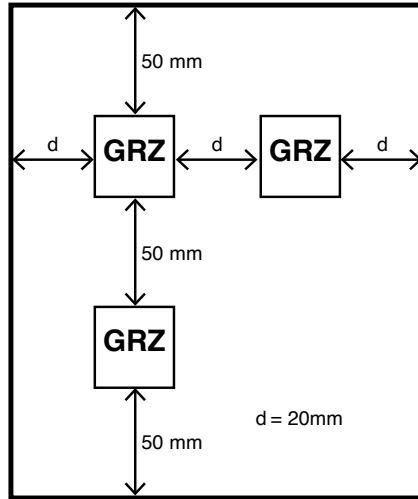
## INSTALLATION

Use the extra-rapid fuse shown in the catalogue according to the connection example supplied.

Applications with uninterruptible power supply units must also include a safety circuit breaker for disconnecting the power line from the load. To obtain high device reliability, it is essential to install it correctly inside the panel in order to obtain adequate heat exchange between the heat sink and the surrounding air under conditions of natural convection.

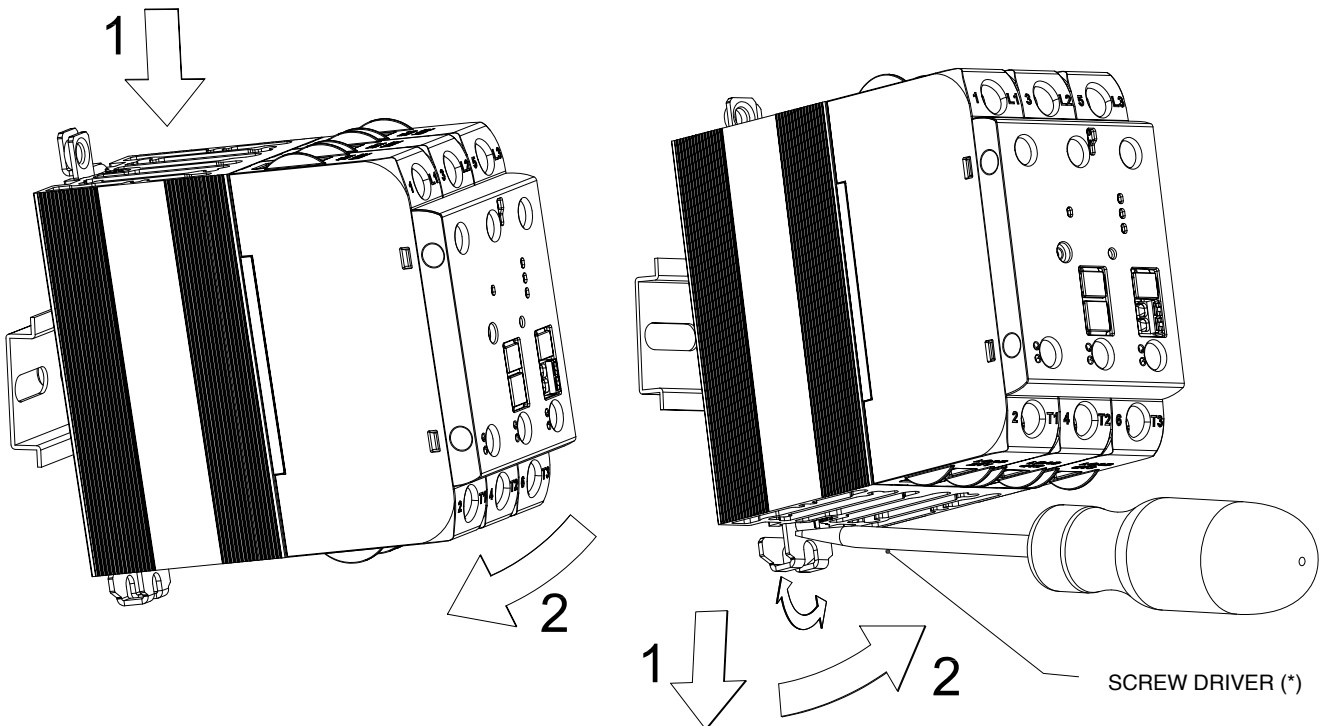
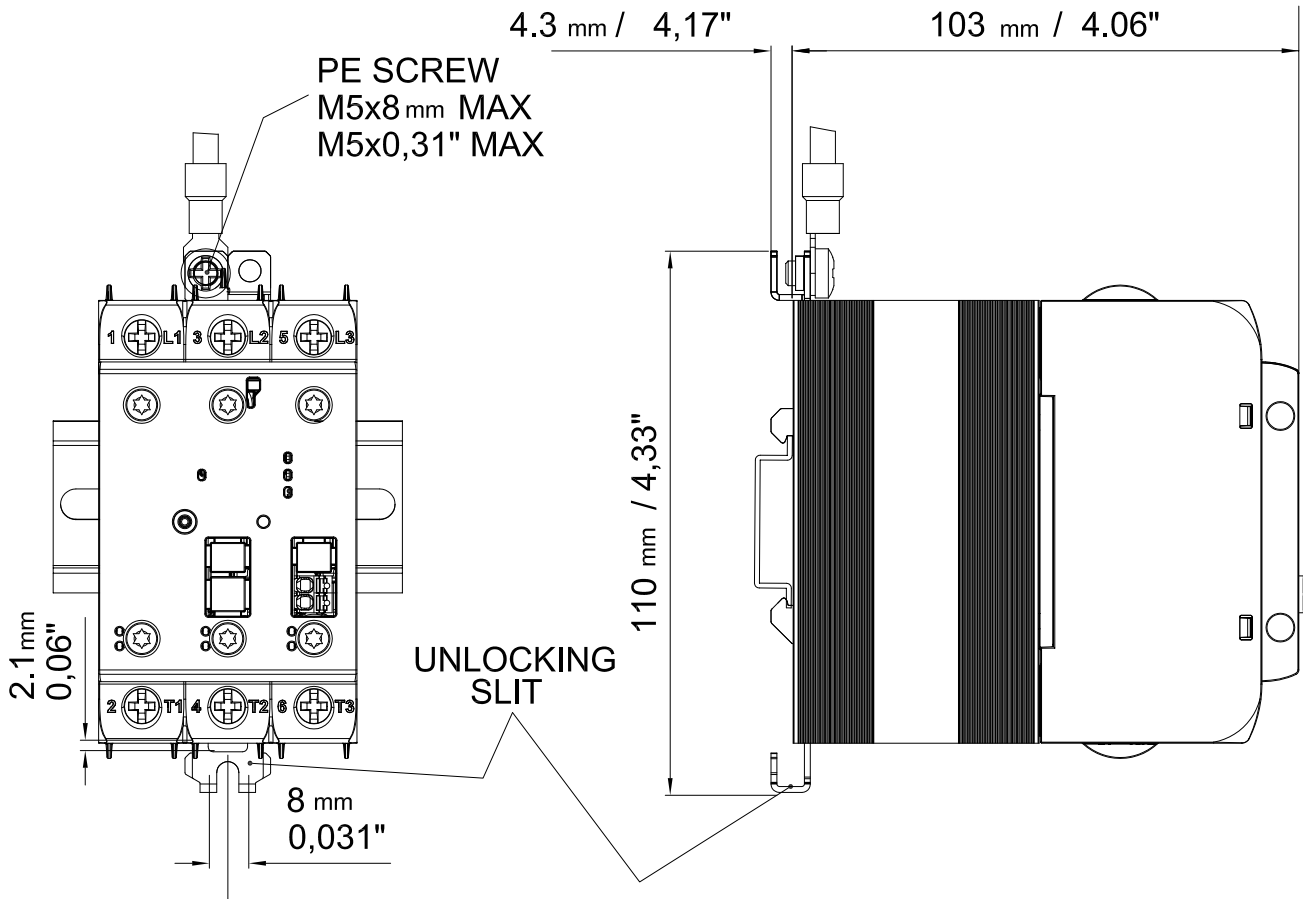
Mount the device vertically (maximum 10° inclination from the vertical axis). Make sure that the cable ducts do not reduce these distances; in this case, mount the units overhanging the panel, so that the air can flow vertically on the heat sink without hindrance.

### Minimum mounting distance



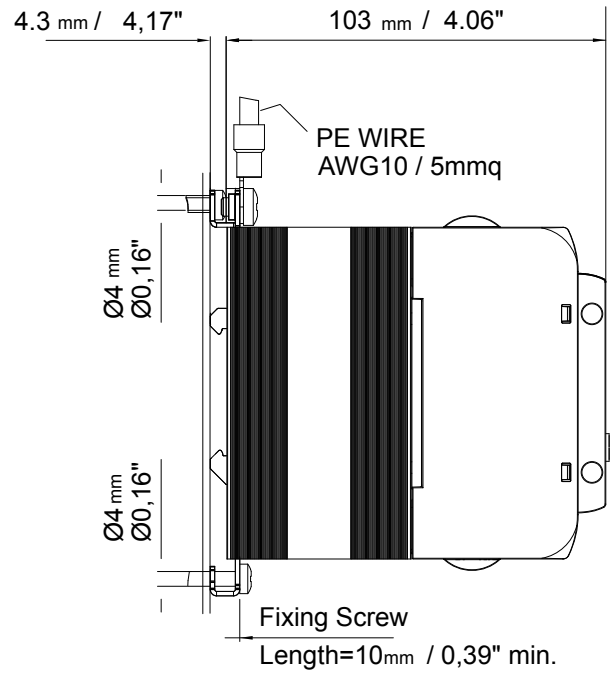
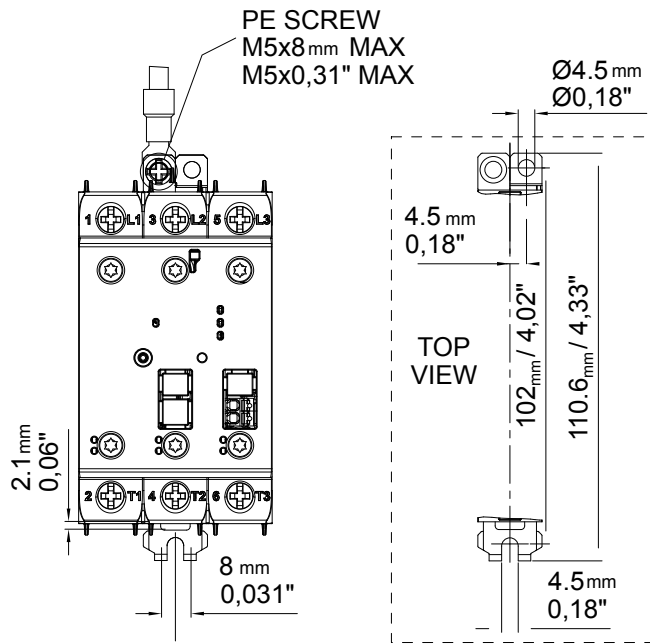
### Limitations of use

- Ambient temperature limits, depending on derating curves.
- Need for air exchange with the outside or an air conditioner to transfer the dissipated power to the outside of the panel.
- Installation limits (distances between devices to ensure dissipation under natural convection conditions)
- Maximum voltage limits and derivative of the transients present on the line, for which the static unit provides internal protection devices (depending on the models).
- Presence of leakage current < 3mA (max. value with nominal voltage and junction temperature of 125°C / 257°F).



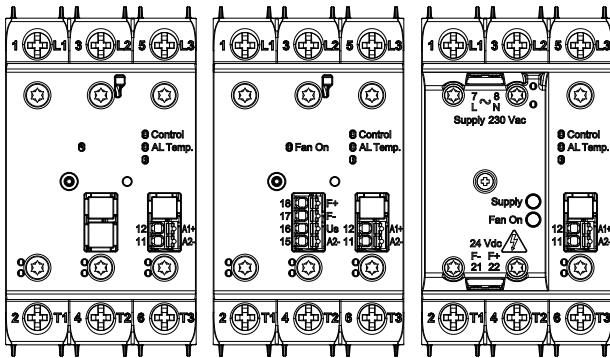
(\*) Use of a slotted screwdriver with a max. diameter of 6mm is recommended

# PANEL FIXING



## DESCRIPTION OF CONNECTIONS

### Command D without diagnostic option (GRZ...D-0)

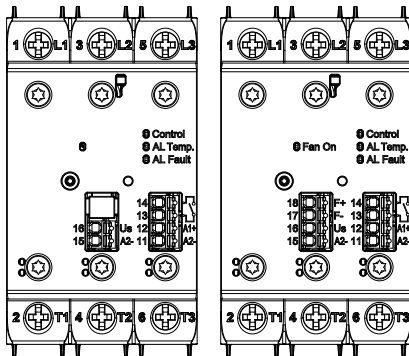


D-0  
NO FAN /FAN62

D-0  
FAN-63

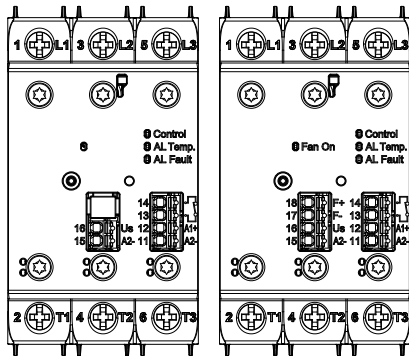
D-0  
FAN-64

### Command D with diagnostic option (GRZ...D-1/2/3)



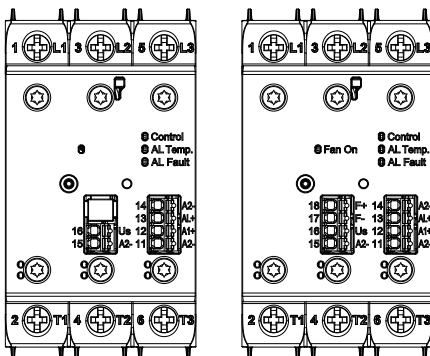
D-1  
NO FAN / FAN-62

D-1  
FAN-63



D-2  
NO FAN / FAN-62

D-2  
FAN-63

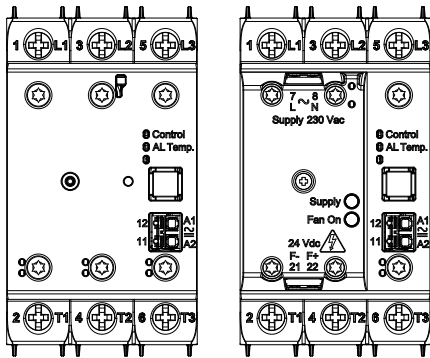


D-3  
NO FAN / FAN-62

D-3  
FAN-63

1/L1, 2/L2, 3/L3	Mains power line connections
2/T1, 4/T2, 6/T3	Load connections
7/L	Vac Fan Supply FAN64
8/N	Vac Fan Supply FAN64
11/A2-	Ground On/Off Control signal
12/A1+	Positive On/Off signal command Vdc
13/A2-	Ground (common with 11/A2-)
14/AL+	Alarm output (D-3 version; PNP output)
13 14	Alarm output (D-1,D-2 version; NO,NC contacts)
15/A2-	Ground (common with 11/A2-)
16/Us	Power supply, positiv signal
17/F-	Ground of output power supply fan (pre-wired) FAN63
18/F+	Positive of output power supply fan (pre-wired) FAN63
21/F-	Ground of output power supply fan (pre-wired) FAN64
22/F+	Positive of output power supply fan (pre-wired)FAN64
	Remove the power supply in case of replacement or maintenance of pre-wired fans
Control (Green led)	Status of the command signal
Al Fault (Red led)	Power Fault alarms (No Voltage, No current)
Al Temp. (Yellow led)	Over-temperature status
Fan On (Yellow led)	Cooling fan activated
Supply (Green led)	presence of Vac power supply for fan

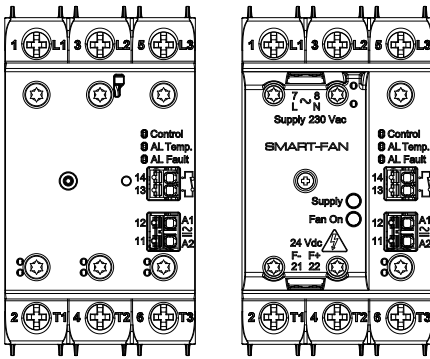
**Command A without diagnostic option  
(GRZ...A-0)**



A-0  
NO FAN / FAN-62


A-0  
FAN-64

**Command A with diagnostic option  
(GRZ...A-2)**



A-2  
NO FAN / FAN-62

A-2  
FAN-64

1/L1 , 2/L2 , 3/L3	Mains power line connections
2/T1 , 4/T2 , 6/T3	Load connections
7/L	Vac Fan Supply FAN64
8/N	Vac Fan Supply FAN64
11/A2 ~	On/Off signal command Vac
12/A1~	On/Off signal command Vac
13 14 ]	Alarm output
21/F-	Ground of output power supply fan FAN64 (pre-wired)
22/F+	Positive of output power supply fan FAN64 (pre-wired)
	Remove the power supply in case of replacement or maintenance of pre-wired fans
<b>Control (Green led)</b>	Status of the command signal
<b>AI Fault (Red led)</b>	Power Fault alarms (No Voltage, No current)
<b>AI Temp. (Yellow led)</b>	Over-temperature status
<b>Fan On (Yellow led)</b>	Cooling fan activated
<b>Supply (Green led)</b>	presence of Vac power supply for fan

## COMAND INPUT

Control Type	Type D		Type A
Pin	11/A2- , 12/A1+		11/A2 , 12/A1~
Diagnostic options	D-0	D-1/2/3	A-0/2
Control voltage	4,9V...32Vdc	3...32Vdc	20...260 Vac/Vdc
Max. command absorption	< 15mA @32V	<5mA @32V	< 8 mAac/dc @260 Vac/Vdc
Maximum reverse voltage	36Vdc	36Vdc	-
Voltage of guaranteed ON	≥4,9Vdc	≥ 3Vdc	≥ 15Vac/Vdc
Voltage of guaranteed OFF	≤4,3Vdc	≤ 1,8Vdc	≤ 6Vac/
Impedance input	500 kΩ	7,26 kΩ	-

## POWER SUPPLY AND FAN

Smart fan	
Power supply (needed with diagnostic options D-1/2/3) (pin 15/A2-,16/Us)	6..32 Vdc, I <sub>max</sub> <15 mA @32V
Power supply with FAN63 (pin 15/A2-,16/Us)	20..27 Vdc, I <sub>max</sub> <100 mA @24V (FAN ON) For 2S-50, 3S-40/40I  20..27 Vdc, I <sub>max</sub> <150 mA @24V (FAN ON) For 2S-75, 3S-65
Power supply with FAN64 (pin 7/L, 8/N)	110-230Vac I <sub>max</sub> <20mA @ 230Vac I <sub>max</sub> <40mA @110Vac
Fan directly powered	
FAN6 2 fan direct power supply (FAN62 option fan must be connected via the two supplied 30cm power cables)	20..27 Vdc, I <sub>max</sub> <100 mA @24V (FAN ON) For 2S-50, 3S-40/40I  20..27 Vdc, I <sub>max</sub> <150 mA @24V (FAN ON) For 2S-75, 3S-65

## ALARM OUTPUT (Diagnostics option)

Function	No Voltage OR No Current OR Overtemperature			
	D-1	D-2	D-3	A-2
Command+Diagnostics option	D-1	D-2	D-3	A-2
Pin	13,14	13,14	13/A2-, 14/AL+	13,14
Output Type	Contact	Contact	PNP	Contact
State	Normally open (NO)	Normally Close (NC)	Normally Inactive (NO)	Normally Close (NC)
Rated voltage	30Vdc/25Vac	30Vdc/25Vac	Us - 0.7Vdc	30Vdc/25Vac
Conduction impedance	≤ 1Ω	≤ 15Ω	-	≤=10hm
Maximum current	150mA	50mA	I <sub>out max.</sub> = 15mA	150mA
Maximum alarm intervention delay	< 400ms			
OR combination of multiple alarm signals	A single alarm signal equivalent to the logical OR of alarms of multiple GRZ devices can be obtained. Connect the alarm outputs (pins 13 and 14) in parallel (in the case of diagnostic option «1» and «3», NO) or in series (in the case of option «2», NC).			



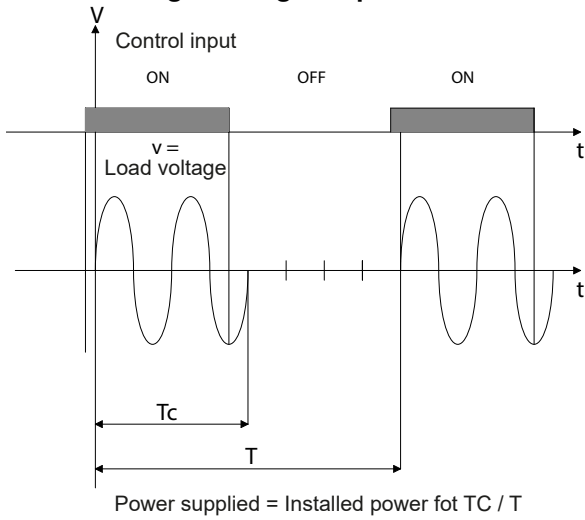
## TECHNICAL SPECIFICATIONS

<b>POWER OUTPUT</b>		
Controlled phases	3 controlled phases in the 3S version 2 controlled phases and one passing trough in the 2S version	
Category of use (Tab. 2 EN60947-4-3)	AC 51: resistive or low-inductance loads	
Trigger modes	Zero crossing	
Activation time	1/2 cycle	
Deactivation time	1/2 cycle	
Potential drop at rated current	< 1,2Vrms	
Power factor	1	
Rated working voltage	480 Vac	600 Vac
Working voltage range	24...530Vac	24 ... 660Vac
Non-repetitive voltage (Surge protection level)	1200 Vp	1400 Vp
Switching voltage for zero	< 20V	
Rated frequency	50/60 Hz	
critical dv/dt with output disabled	1000 V/μs	
Nominal insulation voltage input/output	4kVac rms for 1 minut	
Rated current in short circuit condition	5kA	
Minimum load current	150 mA	
Potential drop at rated current	= < 1,2Vrms	
Presence of leakage current	< 3mA (Maximun value with nominal Voltage and Junction temperature of 125°C / 257°F).	
Calculation of power dissipation	Pd = 1,2 * Irms[W]*n Irms = single-phase load current. n=number of controlled phases, 2 for 2S models, 3 for 3S models	
Thermal protection	The temperature of the SCR module is constantly monitored inside the device. When the maximum temperature threshold of the internal SCR is exceeded, current conduction to the load is interrupted and the yellow thermal protection LED comes on to signal the condition.	

Model	Nominal current (@40°C) for each phase[A]	Non-repetitive overcurrent (t=20msec) [A]	I2t for blowout (t=1...10msec) [A2s]	Dimensions [mm] See drawings for details and FAN64 versions		
				Width	Height	Depth
<b>2S</b>						
15	15	620	1800	60	110	62,8
25	25	620	1800	52,5	90	102,8
25I	25	1600	12800	52,5	90	102,8
30	30	620	1800	70	90	119,8
30I	30	1600	12800	70	90	119,8
40	40	620	1800	52,5	134 (w. fan)	102,8
40I	40	1600	12800	70	90	119,8
50	50	1600	12800	52,5	134 (w. fan)	102,8
75	75	1600	12800	70	140 (w. fan)	119,8
<b>3S</b>						
10	10	620	1800	60	110	62,8
20	20	620	1800	52,5	90	102,8
20I	20	1600	12800	52,5	90	102,8
25	25	620	1800	70	90	119,8
25I	25	1600	12800	70	90	119,8
30I	30	1600	12800	70	90	119,8
40	40	620	1800	52,5	134 (w. fan)	102,8
40I	40	1600	12800	52,5	134 (w. fan)	102,8
65	65	1600	12800	70	140 (w. fan)	119,8

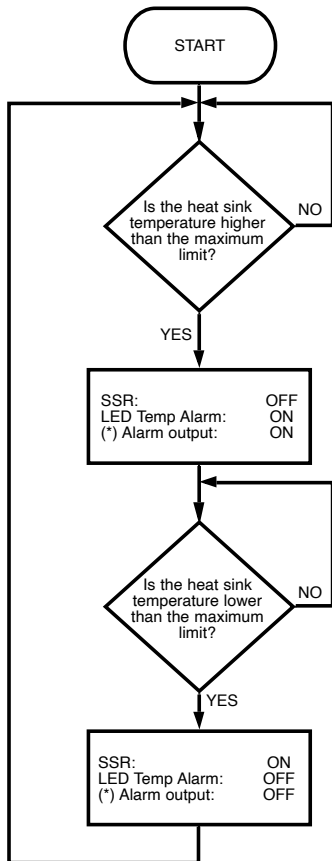
GENERAL CHARACTERISTICS		
Protection rating	IP20	
Working temperature	0...70°C (32 ... 158°F) (see derating curves)	
Storage temperature	-20°C - +85°C (-4 ... 185°F) average temperature in a period of 24H not higher than 35°C (95°F)(according to EN 60947-4-3 § 7.1.1)	
Maximum relative humidity	90% non-condensing at 40°C	
Environmental conditions of use	Indoor use, maximum altitude 2000m For higher altitudes consider: - Derating of 1% of the rated current every 100m above 2000m altitude. - Derating of the maximum voltage by correction factor: 0.88 from 2000 to 3000m 0.77 from 3001 to 4000m 0.68 from 4001 to 5000m  Example for GRZ-..25-60.. at 2800 masl - 25A nominal derated by 1%*8-->23A - 600Vac nominal, maximum voltage 660Vac derated to 660*0,88=580,8Vac.	
Installation	DIN EN50022 bar or panel mount by screws	
Installation requirements	Installation category II, pollution degree 2  Maximum air temperature around the device 40°C / 104°F (for Temperature >40°C / 104°F see derating curves)	
Weight	GRZ-H 2S 15A, 3S 10A	390 g / 13,76 Oz
	GRZ-H 2S 25/25I , 3S 20/20I	500 g / 17,64 Oz
	GRZ-H 2S 25/25I , 3S 20/20I	700 g / 24,69 Oz
	GRZ-H 2S 30/30I/40I, 3S 25/25I/30I	540 g / 19,05 Oz
	GRZ-H 2S 75, 3S 65	760 g / 26,81 Oz
	GRZ-H 10,15A	796 g / 28,09 Oz

**Logic voltage output command**

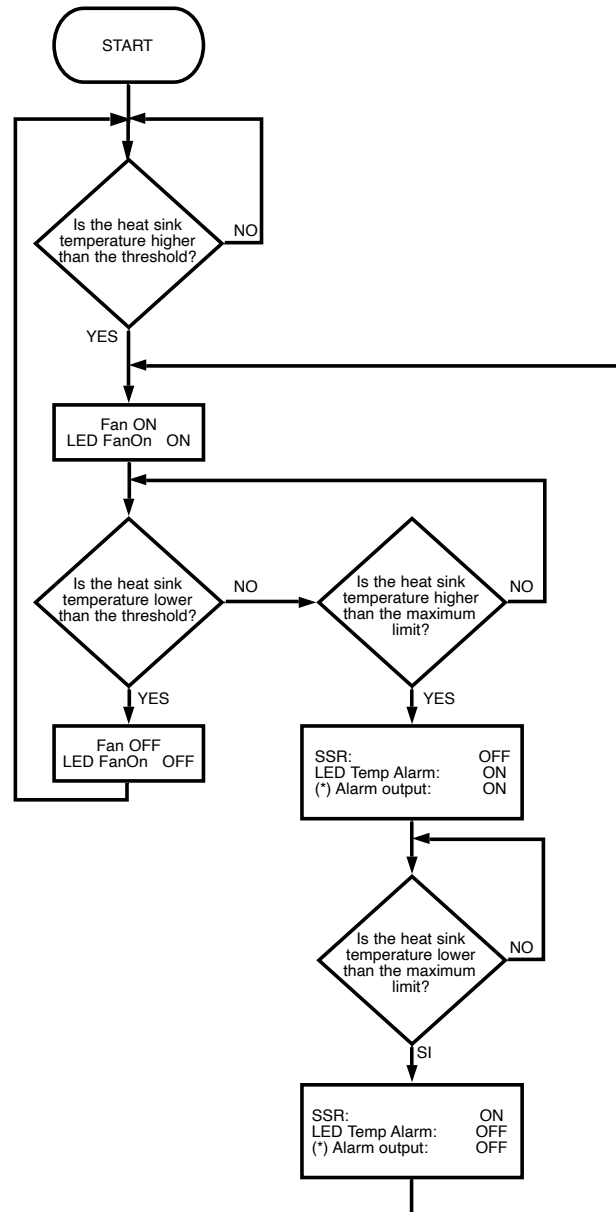


**OVER TEMPERATURE PROTECTION AND SMART FANS**

**All Models**

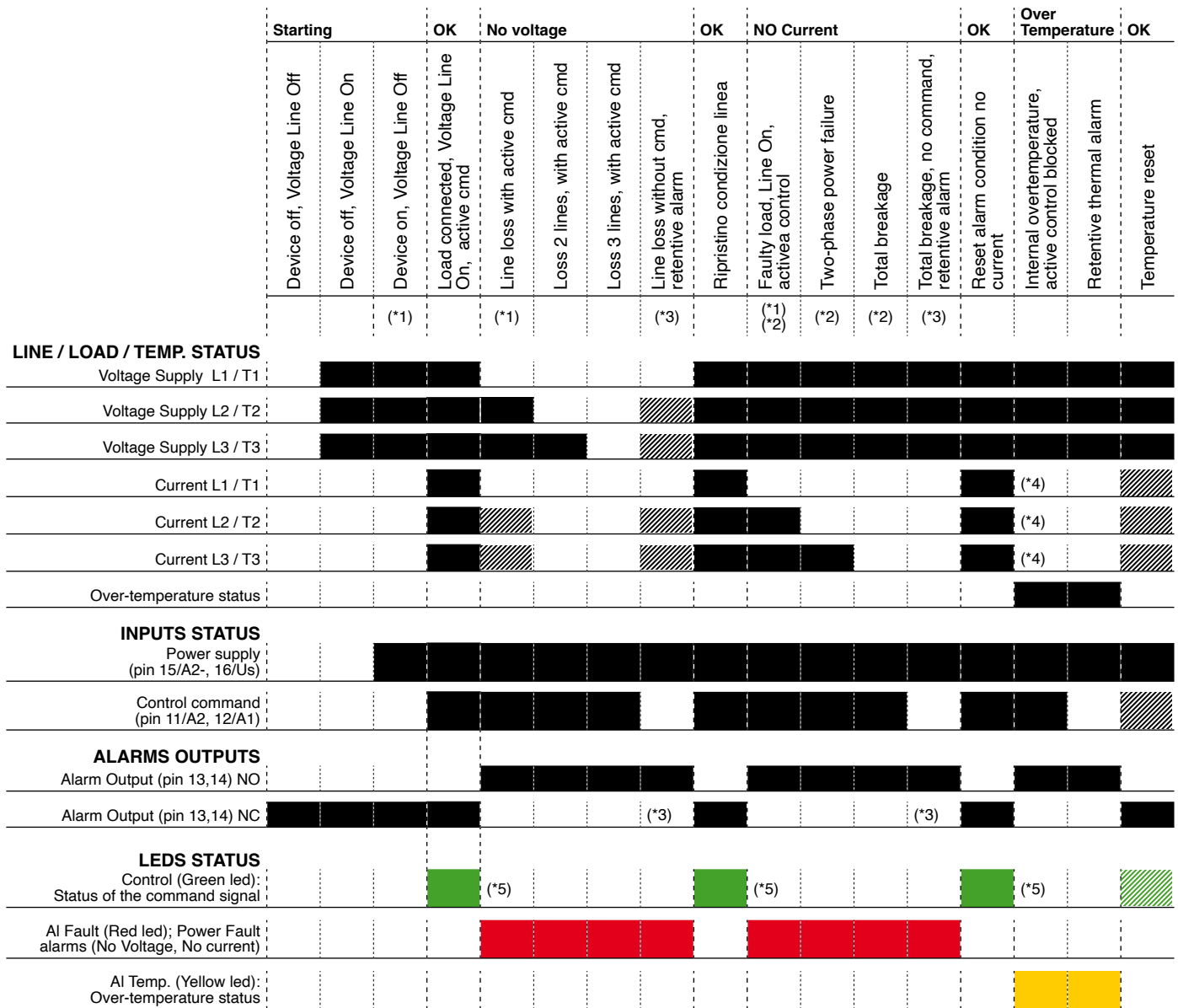


**Models with FAN63 / FAN64 option**



(\*) Turned on alarm output only in case of versions with on-board diagnostic options (D-1/2/3 and A-2) on pins 14 and 15.

# ALARMS



## Legend

- Active
- Not active
- Any state is irrlevant

(\*1) The GRZ..2S models detect the current or voltage fault only on the 2 controlled phases (L2/T2, L3/T3). GRZ..3S detects the faults on all three (L1/T1,L2/T2, L3/T3).

(\*2) Each GRZ-H controlled phase is able to monitor the presence of current. In the case of star connection(with or without neutral) or open delta, it is sufficient for one of the 3 load branches to fail to detect total absence of current. For close delta type loads, it is necessary that at least two sides of the delta are faulty in order to detect the total absence of current on at least one branch.

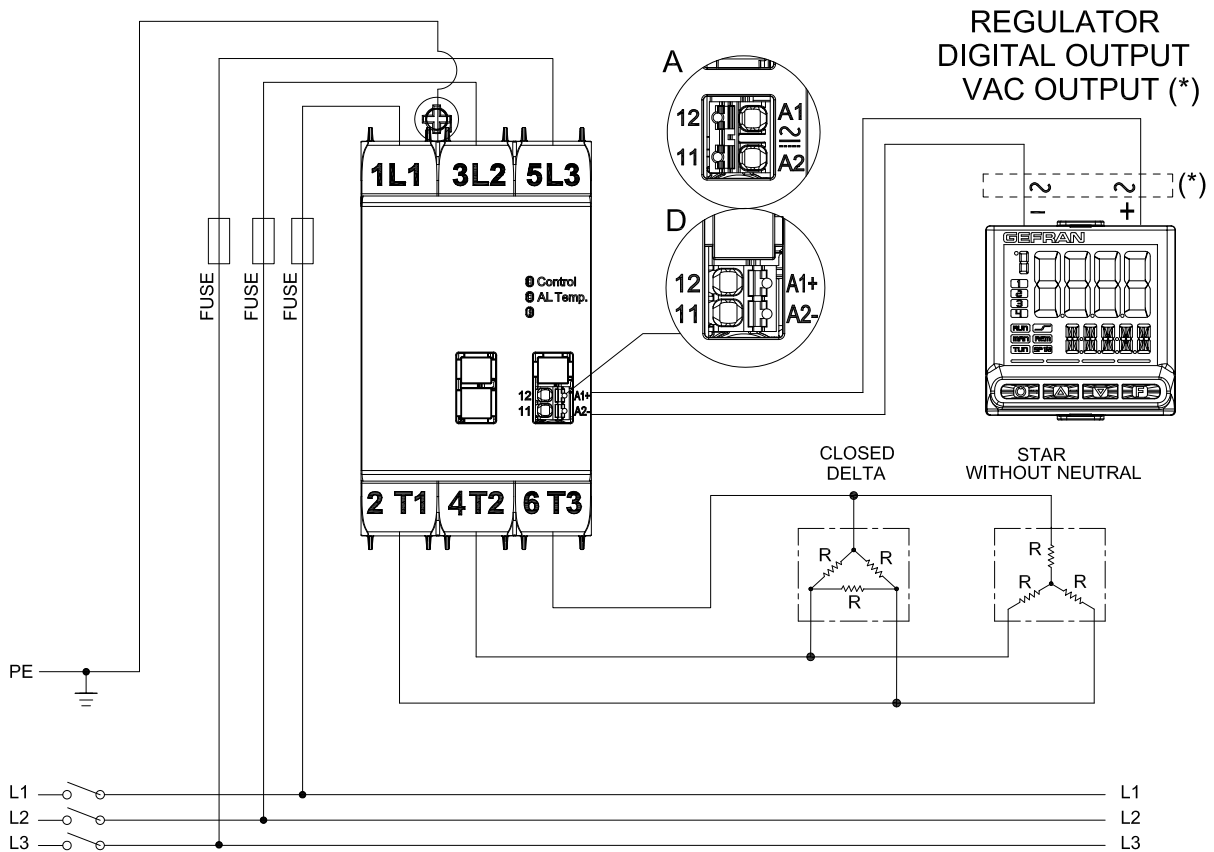
(\*3) Only for D-1/2/3 versions (which needs power supply) the alarm is kept active even in conditions in which there is no command signal. For the A-2 versions (which do not have a power supply) the alarms are managed only with the command active.

(\*4) When the internal overtemperature condition is detected, the device goes into protection condition and does not actuate the command, avoiding further overheating

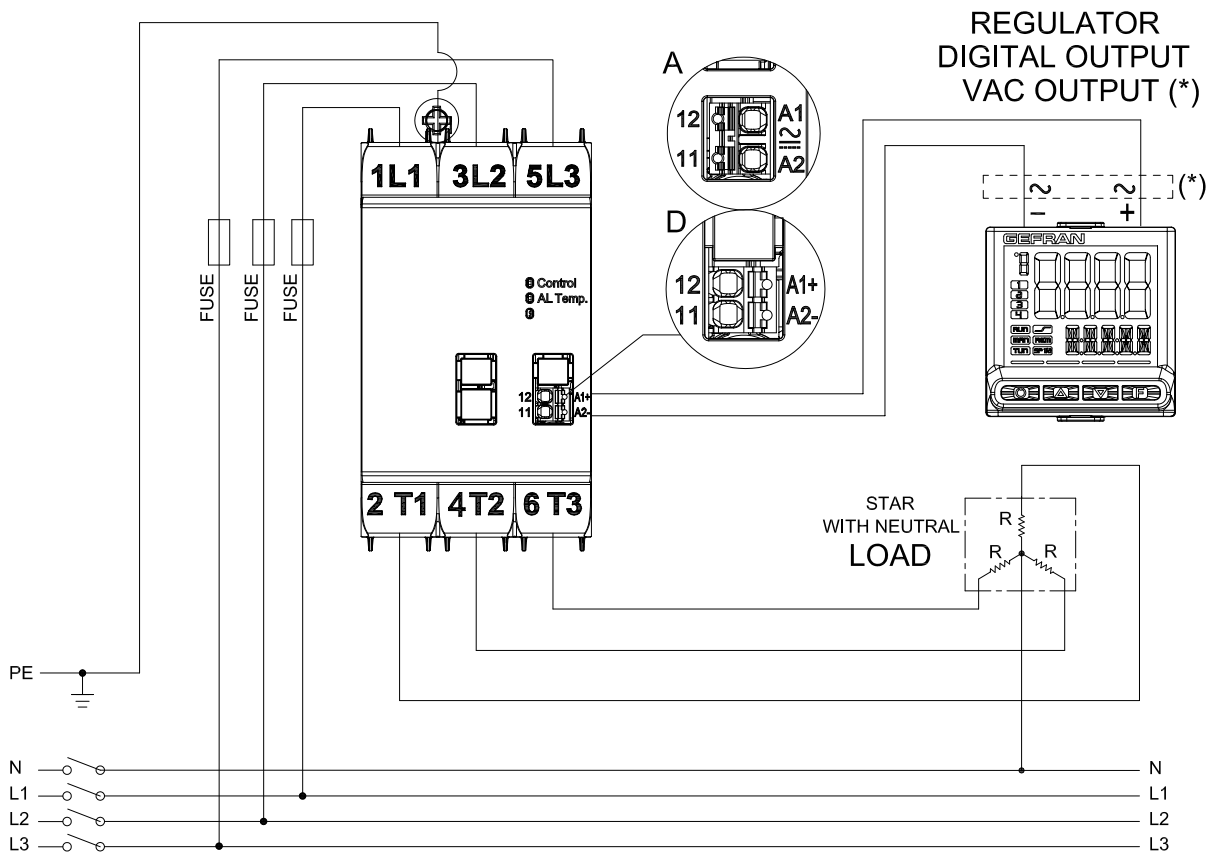
(\*5) In alarm conditions, the green Control LED goes off, even in the presence of an active command.

## CONNECTION EXAMPLES

Three-phase Triangle or Star connection without neutral on Three phases - GRZ with V DC or AC command input ("D" or "A" type input)  
Valid for 2S (3PH, 2 controlled 1 pass through) models and for 3S (3PH, 3 controlled) models



Three-phase Wye connection with neutral - GRZ with V DC or AC command input ("D" or "A" type input).  
Valid **ONLY** for models 3S (3PH, 3 controlled) models.  
**NOT FOR** GRZ 2S type (3ph, 2 leg controlled and 1 pass through)

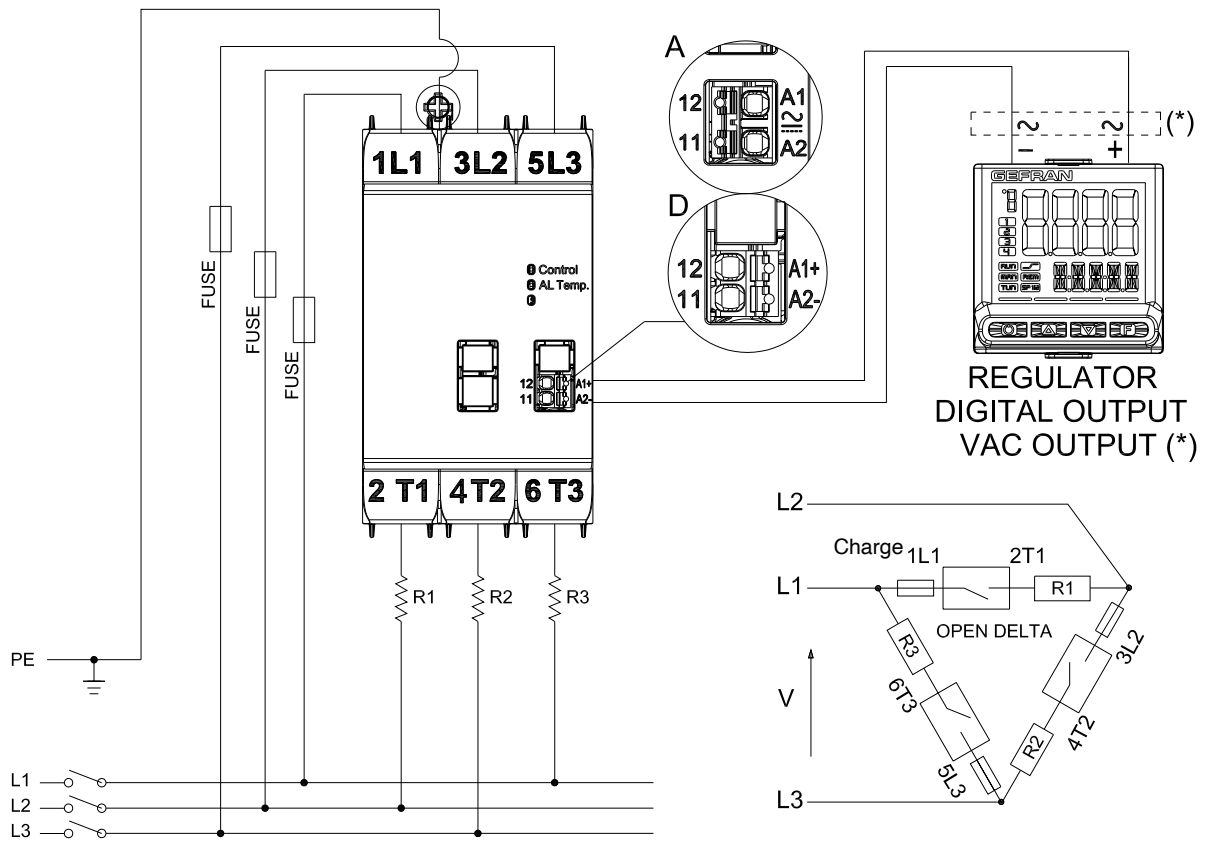


## CONNECTION EXAMPLES

Open Delta connection with neutral - GRZ with V DC or AC command input ("D" or "A" type input).

Valid **ONLY** for models 3S (3PH, 3 controlled) models.

**NOT FOR** GRZ 2S type (3ph, 2 leg controlled and 1 pass through)



## TABLE OF TERMINALS AND CONDUCTORS

POWER TERMINALS							
Rated load current	10/15A	20/25A	30A	40A	50A	60/65A	75A
Contact area (WxD) screw type	9,2 x 8 mm M5						
Stripping length	11 mm						
1 Conductor section 2 Conductors section (minimum section)	1 x 2.5 mm <sup>2</sup> / 2 x 1.5 mm <sup>2</sup>	1 x 6 mm <sup>2</sup> / 2 x 4 mm <sup>2</sup>	1 x 10 mm <sup>2</sup> / 2 x 6 mm <sup>2</sup>	1 x 16 mm <sup>2</sup> / 2 x 10 mm <sup>2</sup>	1 x 25 mm <sup>2</sup> / 2 x 16 mm <sup>2</sup>		
	1 x 14 AWG / 2 x 17 AWG	1 x 10 AWG / 2 x 12 AWG	1 x 8 AWG / 2 x 10 AWG	1 x 6 AWG / 2 x 8 AWG	1 x 4 AWG / 2 x 6 AWG	1 x 3 AWG / 2 x 6 AWG	
Maximum allowed section	1 x 25 mm <sup>2</sup> / 2 x 16 mm <sup>2</sup> 1 x 3 AWG / 2 x 6 AWG						
Tightening torque	2,5-3 Nm (22-26,6lb-in)						
<i>Note: Use 75°C (167°F) copper (CU), multi-stranded conductors</i>							

CONTROL/SIGNAL TERMINALS	
Rigid/flexible / cable lug conductor cross section	
1 Conductor section 2 Conductors section	1 x 0.2-0.75 mm <sup>2</sup> 2 x 0.1-0.5 mm <sup>2</sup>
	1 x 24-18 AWG 2 x 27-20 AWG
Stripping length	8 mm
Nota: Usare conduttori in rame (CU) 60/75°C (140/167°F), rigidi o multifilari	

GROUND TERMINAL (*)	
Contact area (WxD) screw type	9 x 9 mm M5
Tightening torque	1,5-2,5 Nm (13.3 lb-in – 22 lb-in)

(\*) The screw terminals are only suitable for on-site wiring connection when the wire is equipped with a tube terminal with eyelet. It is possible to make ground connection using a copper bar suitably ground connected and fixed to the heatsink of more GRZ-H.

## EXTRARAPID FUSES

GRZ Model	Nominal current	Model and fuse size (manufacturer Bussmann Div Cooper (UK) Ltd)	Fuse order code (descr.)	Fuse holder order code (descr.)
10	10	FWC-10A10F 10x38	338238 (FUS-010-L)	337132 (PF-10x38)
15	16	FWC-16A10F 10x38	338470 (FUS-016)	
20,20I	20	FWC-20A10F 10x38	338469 (FUS-020)	
25,25I	25	FWC-25A10F 10x38	338474 (FUS-025)	
30,30I	32	FWC-32A10F 10x38	338483 (FUS-032)	
40,40I	40	FWP-40A14F 14x51	338147 (FUS-040)	337131 (PF-14x51)
50	50	FWP-50A14F 14x51	338079 (FUS-051)	337130 (PF-22x58)
65	63	FWP-63A22F 22x58	338191 (FUS-063)	
75	80	FWP-80A22F 22x58	338199 (FUS-080)	

## PROTECTION WITH MCB

Protection co-ordination (Type 2) with Siemens Miniature Circuit Breaker (MCB / Thermal-Magnetic) 5SY4 series, curve A, 3P			
Current size model (I <sub>2t</sub> )	3P MCB model (MCB Nominal current in A) at 400Vac	Wire cross sectional area (mm <sup>2</sup> )	Minimum length *of copper wire conductor (m)
GRZ(-H)-... 2S-15 2S-25 2S-30 3S-10 3S-20 3S-25 3S-40 (1800 A2s)	5SY4310-5 (10)	1,0	6,0
		1,5	10,0
		2,5	14,0
	5SY4316-5 (16)	1,0	6,0
		1,5	10,0
		2,5	14,0
		4,0	25,0
	5SY4320-5 (20)	1,5	10,0
		2,5	21,0
		4,0	30,0
	5SY4325-5 (25)	2,5	18,0
		4,0	30,0
5SY4332-5 (32)	2,5	36,0	
GRZ(-H)-... 2S-25I 2S-30I 2S-40I 2S-50 2S-75 3S-20I 3S-25I 3S-30I 3S-40I 3S-65 (12800 A2s)	For MCBs smaller than those indicated in the lines below, there are no section and length constraints.		
	5SY4332-5 (32)	2,5	2,0
		4,0	4,0
		6,0	7,0
	5SY4340-5 (40)	4,0	4,0
		6,0	7,0
		10,0	10,0
	5SY4350-5 (50)	6,0	7,0
		10,0	10,0
		16,0	18,0
	5SY4363-5 (63)	6,0	7,0
		10,0	10,0
		16,0	18,0

\*The sizing is valid for a 400Vac phase-to-phase line with an assumed short-circuit current of 5KA

\*\* Between MCB and Load plus return path which goes back to MCB.

Example, for a GRZ-H-...2S-50-..., with line voltage of 400Vac, controlled load of 45 A nominal for each leg, with a section of 6mm<sup>2</sup> of cable, an MCB 5SY4350-5 (50 A) the minimum length of the cables is 7m (cable length is intended between MCB and load, including return to MCB).

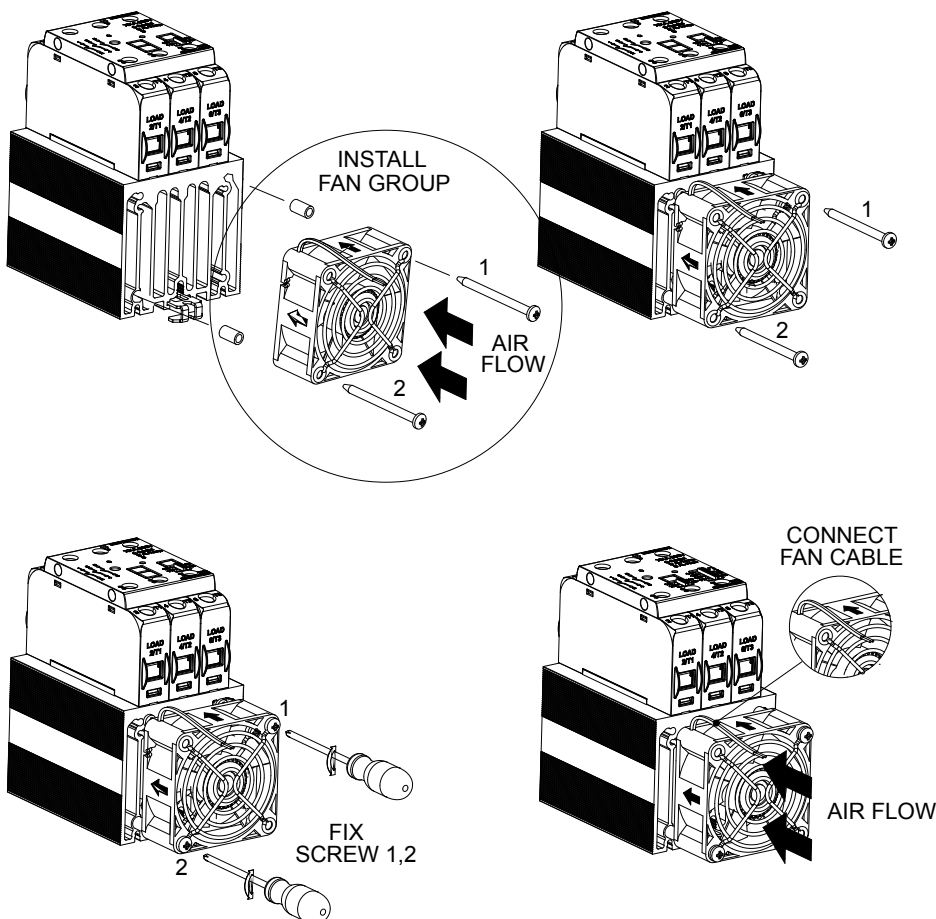
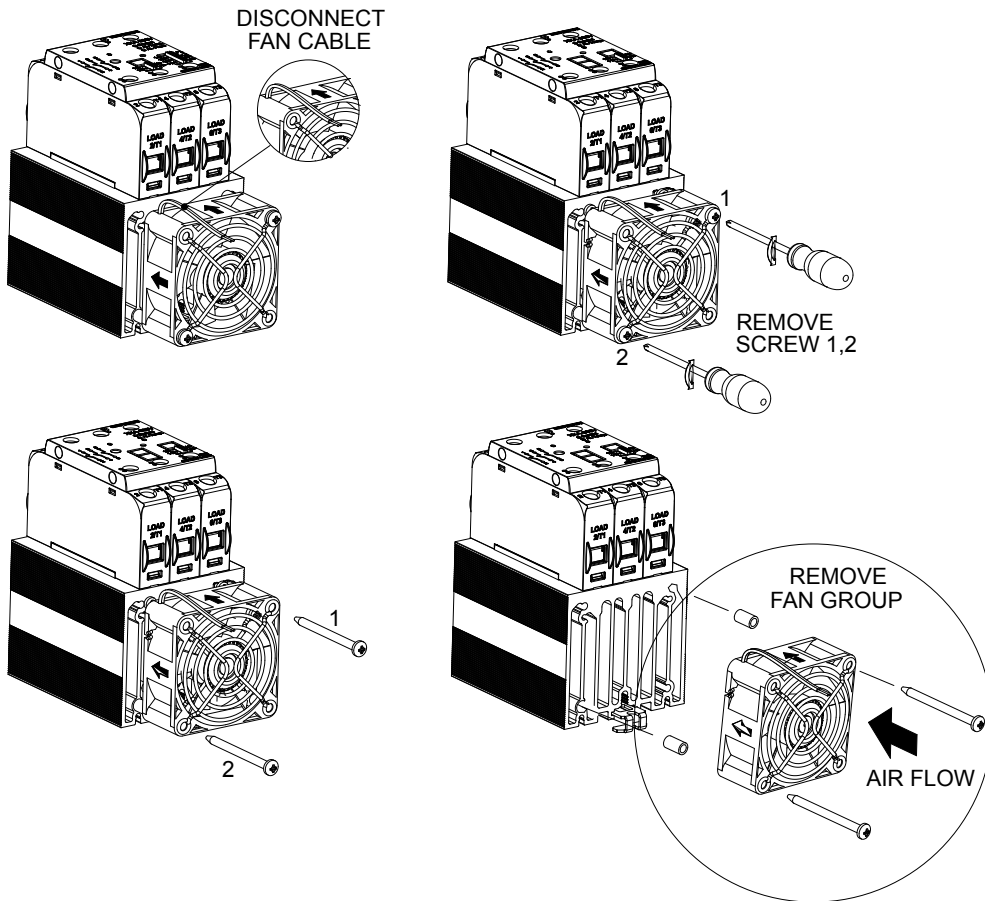
## COOLING FANS

GRZ-H Model	Type of fan	Spare part code
3S-40, 3S-40I, 2S-40, 2S-50	24 Vdc 40mm x 40mm x 20mm	F095133
3S-65, 2S-75	24 Vdc 60mm x 60mm x 25mm	F095132



## FAN REPLACEMENT

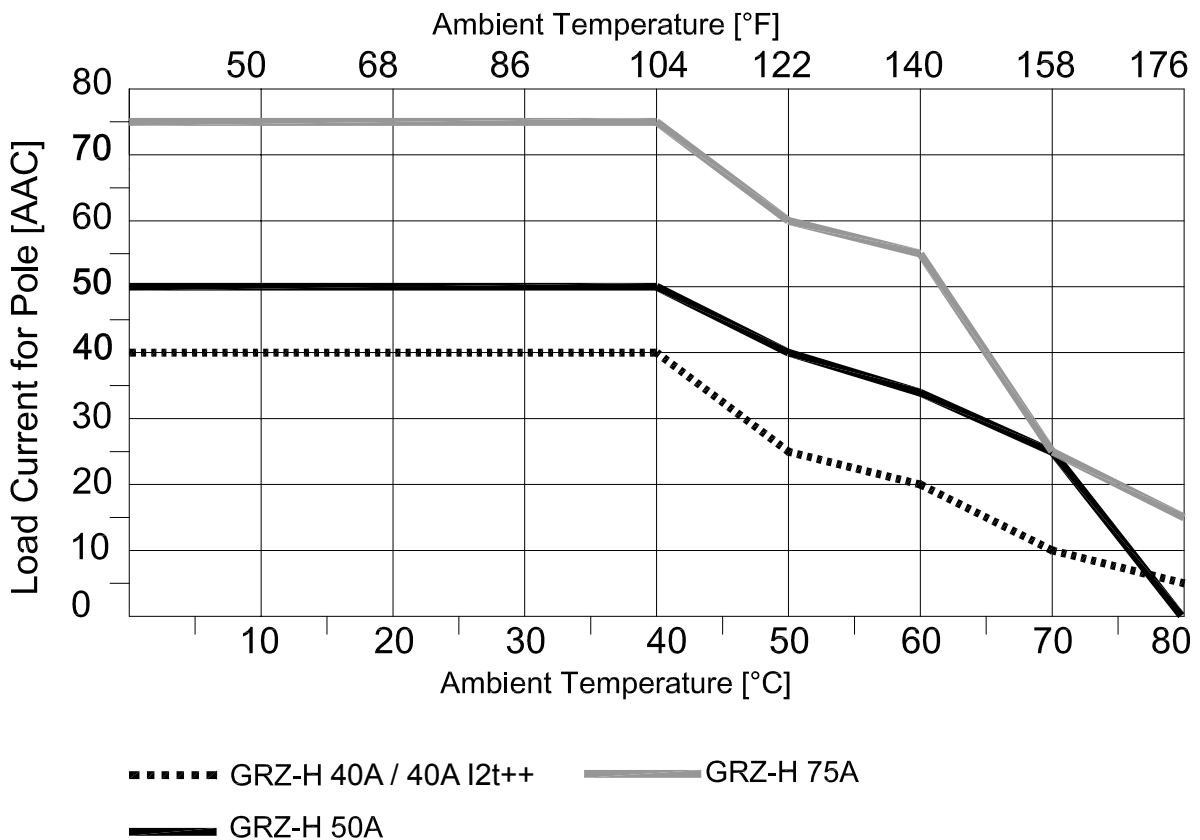
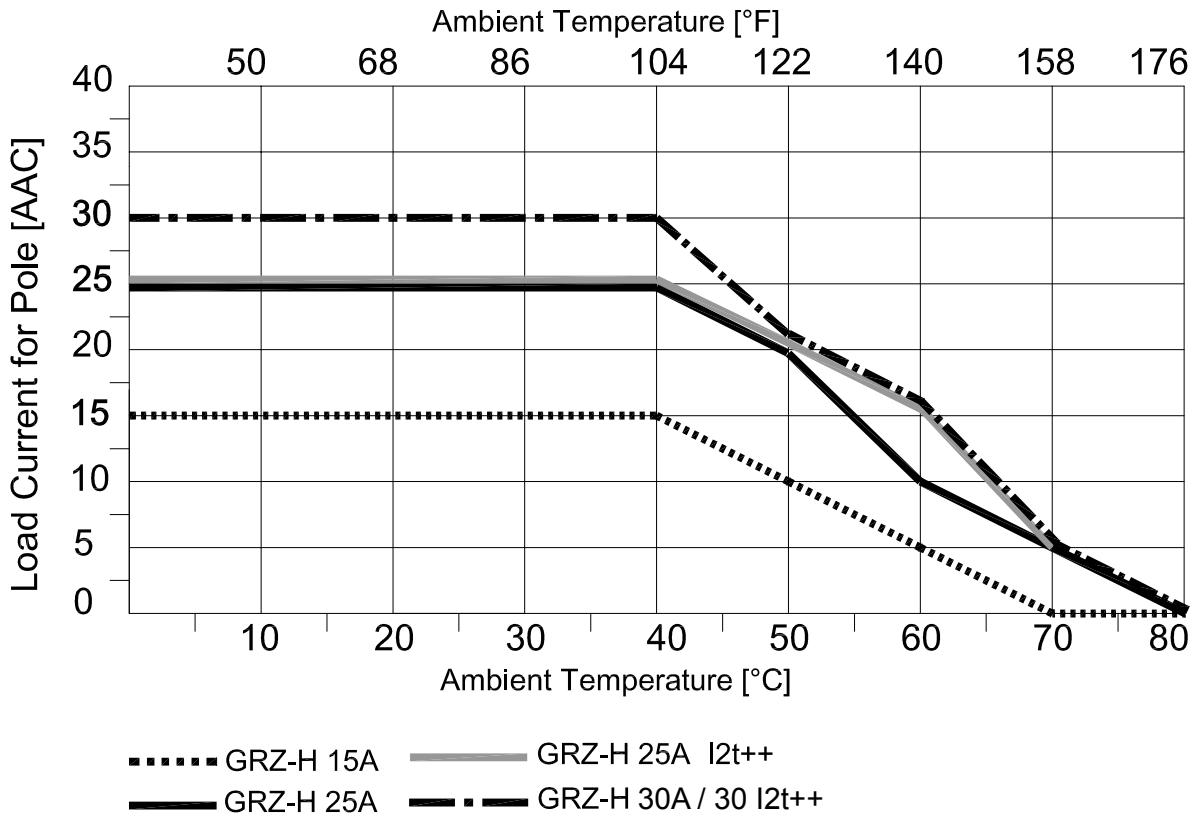
Caution: make sure that the arrow showing the direction of the air flow on the fan is pointing toward the heat sink



Use a Phillips screwdriver with a max. diameter of 3.5mm.

Rated current curves as a function of ambient temperature (minimum distance between GRZ-H of 20mm).

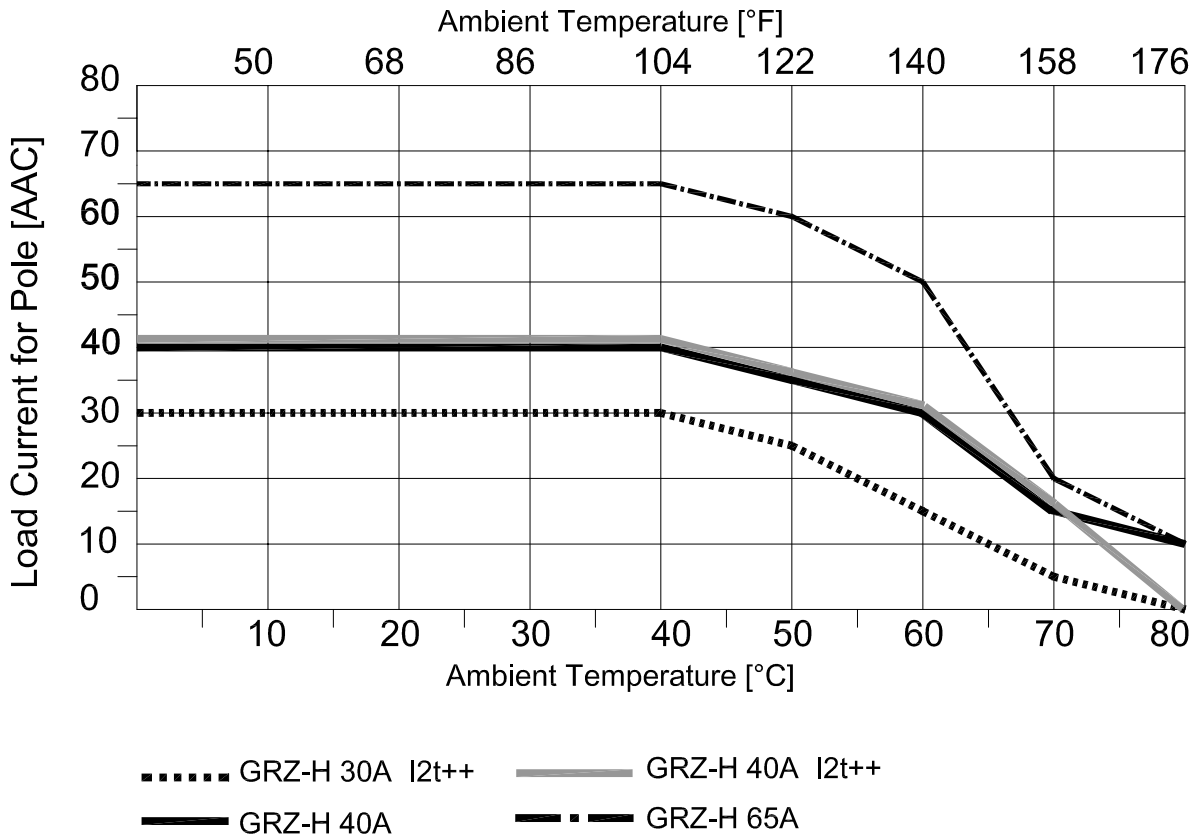
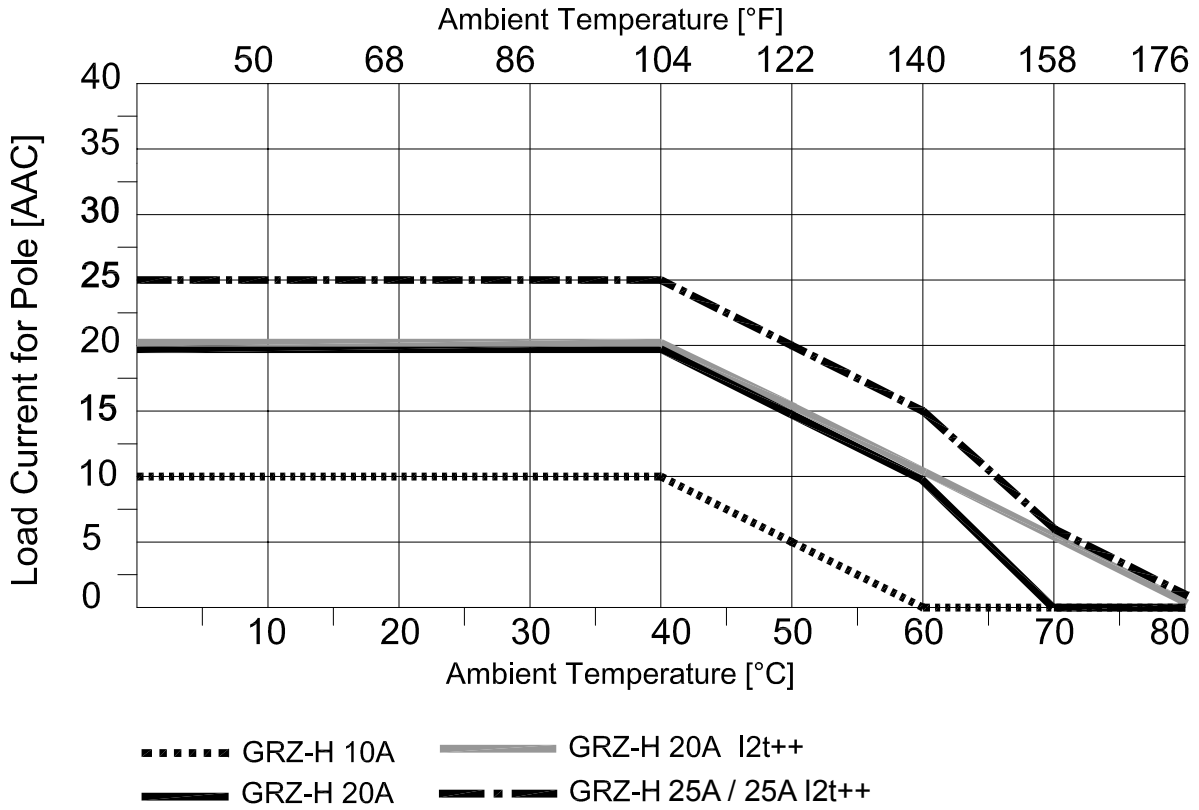
**DERATING CURVES GRZ-H-3P-2S**



Note: The curves of the GRZ-H 50A/75A refer to the device complete with a working specified fan.

Rated current curves as a function of ambient temperature (minimum distance between GRZ-H of 20mm).

**DERATING CURVES GRZ-H-3P-3S**



Note: The curves of the GRZ-H 40A/ 65A refer to the device complete with a working standard fan.

GRZ-H-3P   -   -   -   -   -   -   0

0
---

Controlled phases	
3PH, 2 controlled 1 direct	<b>2S</b>
3PH, 3 controlled	<b>3S</b>

Nominal current	
for 2S (3PH, 2 controlled 1 direct) models	
15Aac	<b>15</b>
25Aac	<b>25</b>
25Aac I2t++	<b>25I</b>
30Aac	<b>30</b>
30Aac I2t++	<b>30I</b>
40Aac I2t++	<b>40I</b>
40Aac (Fan required)	<b>40</b>
50Aac (Fan required)	<b>50</b>
75Aac (Fan required)	<b>75</b>
for 3S (3PH, 3 controlled) models	
10Aac	<b>10</b>
20Aac	<b>20</b>
20Aac I2t++	<b>20I</b>
25Aac	<b>25</b>
25Aac I2t++	<b>25I</b>
30Aac I2t++	<b>30I</b>
40Aac (Fan required)	<b>40</b>
40Aac I2t++ (Fan required)	<b>40I</b>
65Aac (Fan required)	<b>65</b>

Nominal voltage	
480 Vac	<b>48</b>
600 Vac	<b>60</b>

Fan	
Models not requiring a fan (See Nominal current table)	
<b>0</b>	None
Models requiring a fan (See Nominal current table)	
<b>FAN62</b>	24Vdc
<b>FAN63</b>	24Vdc Smart Fan (1)
<b>FAN64</b>	115..230Vac Smart Fan (2)

Diagnostic options (*)	
<b>0</b>	None
<b>1</b>	Thermal alarm and Load Diagnostic insulated contact ( NO ) (1)
<b>2</b>	Thermal alarm and Load Diagnostic insulated contact ( NC )
<b>3</b>	Thermal alarm and Load Diagnostic Digital output PNP (1)

Control type	
<b>D</b>	6 ... 32 Vdc
<b>A</b>	20 ... 260 Vac / Vdc

**Notes:**

(\*) Over temperature protection always included  
Load Diagnostic : No line voltage, Current fault.

- (1) Not available for control type option A
- (2) Not available for control type option D with Diagnostic options 1,2 or 3

## EMC STANDARDS

### EMC emissions

AC semiconductor motor controllers and conductors for non-motor loads	EN 60947-4-3	Class A Group 2
---	--------------	-----------------

### EMC Immunity

Generic standards, immunity standard for industrial environments	EN 60947-4-3	
ESD immunity	EN 61000-4-2	4 kV contact discharge 8 kV air discharge
RF interference immunity	EN 61000-4-3 /A1	10 V/m amplitude modulated 80 MHz-1 GHz 10 V/m amplitude modulated 1.4 GHz-2 GHz
Conducted disturbance immunity	EN 61000-4-6	10 V/m amplitude modulated 0.15 MHz-80 MHz
Burst immunity	EN 61000-4-4	2 kV power line 2 kV I/O signal line
Surge immunity	EN 61000-4-4/5	Power line-line 1 kV Power line-earth 2 kV Signal line-earth 2 kV Signal line-line 1 kV
Magnetic fields immunity	Test are not required. Immunity is demonstrated by the successfully completion of the operating capability test	
Voltage dips, short interruptions and voltage immunity tests	EN 61000-4-11	100%U, 70%U, 40%U

### LVD safety

Safety requirements for electrical equipment for measurement, control and laboratory use	EN 61010-1
--	------------

### CAUTION

This product has been designed for class A equipment. Its use in a domestic environment may cause radio interference, in which case the user may be required to use additional attenuation methods.

## WARNINGS



### WARNING

**Read the following warnings before installing, connecting or using the device:**

- follow instructions precisely when connecting the device.
- always use cables that are suitable for the voltage and current levels indicated in the technical specifications.
- In applications with risk of damage to persons, machines or materials, you **MUST** install auxiliary alarm devices.
- It is advisable to verify frequently that the alarm device is functional even during the normal operation of the equipment.
- **DO NOT** operate the device in rooms with dangerous (flammable or explosive) atmosphere.
- During continuous operation, the heat sink can reach up to 100°C, and stays at a high temperature even after the device is turned off due to thermal inertia; therefore, **DO NOT** touch it and avoid contact with electrical wires.
- do not work on the power part without first disconnecting electrical power to the panel.
- do not remove the cover when the device is powered!

#### **Installation:**

- correctly ground the device using the specific terminal.
- power supply lines must be separated from device input and output lines; always check that the supply voltage matches the voltage indicated on the device label.
- avoid dust, humidity, corrosive gases and heat sources.
- respect the installation distances between one device and another (to allow for dissipation of generated heat).
- to keep air in movement, we advise you to install a fan near the GRZ-H group in the electrical panel containing the GRZ-H.
- respect the indicated dissipation curves

#### **Maintenance:**


at regular intervals, check operation of the cooling fans and clean all air ventilation filters.

- repairs must be done out only by trained and specialized personnel. Cut power to the device before accessing internal parts.
- do not clean the box with solvents derived from hydrocarbons (trichloroethylene, gasoline, etc.). Using such solvents will compromise the device's mechanical reliability. Use a clean cloth moistened with ethyl alcohol or water to clean external parts in plastic.

#### **Service:**

GEFRAN has a service department. The warranty excludes defects caused by any use not conforming to these instructions.

**GEFRAN spa** reserves the right to make aesthetic or functional changes at any time and without notice.

	This device conforms to European Union Directive 2014/30/EU and 2014/35/EU as amended with reference to generic standards: <b>EN 61000-6-2</b> (immunity in industrial environment) <b>EN 61000-6-4</b> (emission in industrial environment) - <b>EN 61010-1</b> (safety regulations).
	cULus listed, Conformity UL508 - File: E243386